

## KFP 清水泵 CLEAN WATER PUMP



### CONSTRUCTION

#### PUMP: Peripheral

Pump Body with Front Cover: Cast Iron / Cast Iron with Brass Insert

Impeller: Brass

Pump Cover: Cast Iron / Cast Iron with Brass Insert

Mechanical Seal: Carbon + Ceramic + Stainless steel + Rubber

#### MOTOR: Single Phase Heavy Duty Continuous Work

Motor Housing: Aluminium

Shaft: Carbon Steel / 304 Stainless Steel Welded

/ 420 Stainless Steel

Insulation: Class B / Class F

Protection: IP44 / IP54

Cooling: External ventilation

### 结构特征

#### 泵：旋涡式清水泵

泵体前盖一体：铸铁/铸铁镶铜(可选)

叶轮：铜

机械密封：石墨/陶瓷/不锈钢/橡胶

#### 电机：单相大马力连续工作制

电机机座：铝压铸

转轴：45#碳钢/304不锈钢焊接轴/整轴420不锈钢

绝缘等级：B级/F级

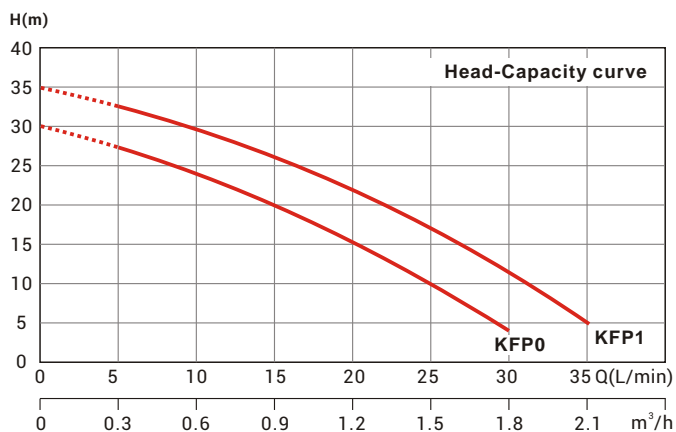
防护等级：IP44/IP54

冷却方式：风冷



KFP0

KFP1



### 包装尺寸及毛重 PACKAGE DIMENSIONS & G.W.

型号 Model	长 L	宽 W	高 H	重量 KG	1X20"柜数量 1X20" FCL QTY (pcs)
KFP0	390	220	270	12	1250
	390	220	270	12.5	1250
KFP1	390	220	270	13.5	1250
	400	260	330	24	850

(mm)

安装尺寸图请查看55页。

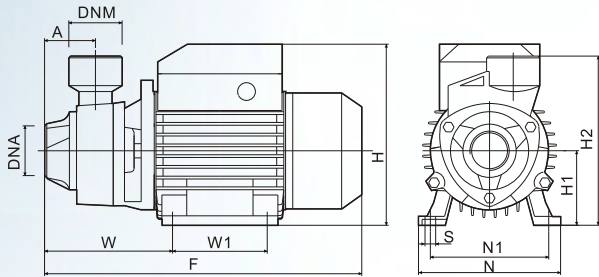
For installation dimensions, please reference to page 55.

### 技术参数 PERFORMANCE SPECIFICATIONS

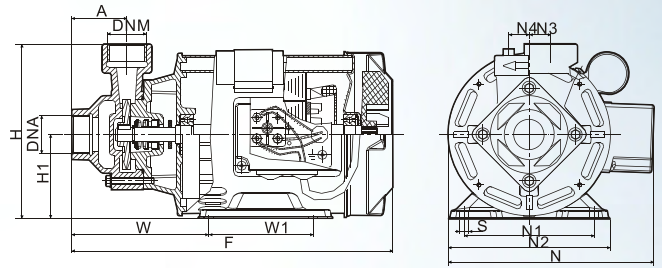
型号 Model	功率 Power		电流 Ampere (A)	最大吸程 Suct. max (m)	进出口管径 Inlet/Outlet DIA	流量 Q=capacity							
						扬程 H (m)							
						m³/h	0	0.3	0.6	0.9	1.2	1.5	1.8
KFP0	HP	kW	220V/50Hz	9	1"x1"	0	5	10	15	20	25	30	35
KFP1	0.5	0.37	2.5			30	24	18	15	11.5	8	5	-
						35	31	25	21	17	12	8	4

\*110V,110/220V,60Hz etc. Models are available on request.

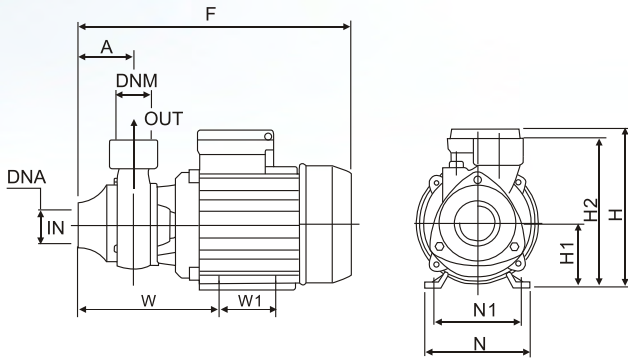
## 清水泵系列 CLEAN WATER PUMP SERIES



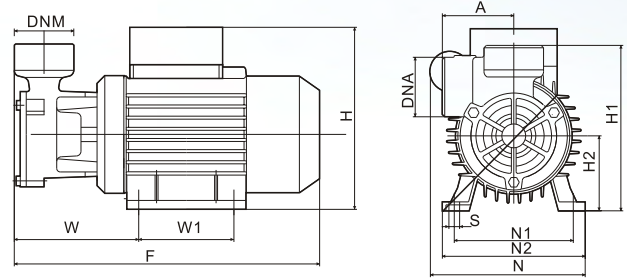
KP, IDB, KFP0, KRP, KP-60C Series



CP-130 Series



KPM Series



KDB, KFP1 Series

### 安装尺寸 INSTALLATION DIMENSIONS

型号 Model	尺寸 DIMENSIONS (mm)												
	A	F	H	H1	H2	N	N1	N2	N3	N4	W	W1	S
1KP-60	45	265	152	63	138	118	100	-	-	-	110	80	10
1KP-70	50	305	181	71	156	136	112	-	-	-	122	90	10
1KP-80	50	305	181	71	156	136	112	-	-	-	122	90	10
1.5KP-90	68	380	182	80	175	180	162	-	-	-	138	100	10
IDB-35	50	268	155	63	143	142	100	-	-	-	115	80	10
IDB-40	55	305	176	71	152	155	112	-	-	-	120	90	10
IDB-50	55	305	176	71	152	155	112	-	-	-	120	90	10
IDB-60	68	380	182	80	156	180	130	-	-	-	138	100	10
CP130(PM16)	47.5	277	150	72	-	178	112	139	20	18	118	90	8
KPM-45	50	265	155	63	143	120	97	-	-	-	67	80	10
KPM-60	50	290	172	71	156	135	112	-	-	-	71.5	90	10
KPM-80	50	290	172	71	156	135	112	-	-	-	71.5	90	10
KDB-125A	60	256	154	143	63	118	110	118	-	-	-	101	10
KDB-330A	60	256	154	143	63	118	110	118	-	-	-	101	10
KDB-550A	72	305	176	176	71	136	112	136	-	-	-	122	10
KDB-750A	72	305	176	176	71	136	112	136	-	-	-	122	10
KFP0	35	215	166	63	143	120	100	-	-	-	60	80	7
KFP1	23	225	166	109	143	120	100	-	-	-	68	80	7
KRP-16M	42	247	158	63	138	132	65	-	-	-	64	-	8
KP-60C	22.5	198	158	63	153	122	100	-	-	-	40.5	80	7