

KSM 离心泵 CENTRIFUGAL PUMP

CONSTRUCTION

PUMP: Centrifugal

Pump Body: Cast Iron
Impeller: Brass / Stainless Steel / P.P.O Plastics
Mechanical Seal: Carbon + Ceramic + Stainless Steel + Rubber
Front Cover: Cast Iron

MOTOR: Single Phase Heavy Duty Continuous Work

Motor Housing: Aluminium
Shaft: Carbon Steel / 304 Stainless Steel Welded / 420 Stainless Steel
Insulation: Class B / Class F
Protection: IP44 / IP54
Cooling: External Ventilation

结构特征

泵: 单级离心泵

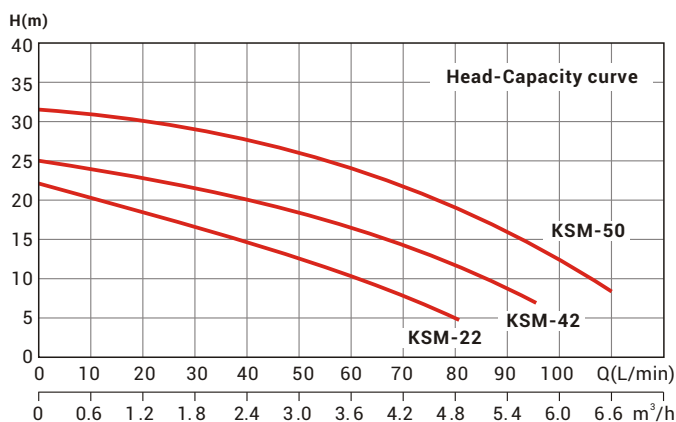
泵体: 铸铁
叶轮: 铜/不锈钢/P.P.O.塑料(可选)
机械密封: 石墨+陶瓷+不锈钢+橡胶
前端盖: 铸铁

电机: 单相大马力连续工作制

电机机座: 铝压铸
转轴: 45#碳钢/304不锈钢焊接轴/整轴420不锈钢
绝缘等级: B级/F级
防护等级: IP44/IP54
冷却方式: 风冷

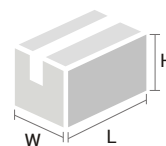


KSM-22
KSM-42
KSM-50



包装尺寸及毛重 PACKAGE DIMENSIONS & G.W.

型号 Model	长 L	宽 W	高 H	重量 KG	1X20"柜数量 QTY (pcs)
KSM-22	310	170	230	8.8	2300
KSM-42	340	210	260	12	1550
KSM-50	340	210	260	13.6	1550



(mm)

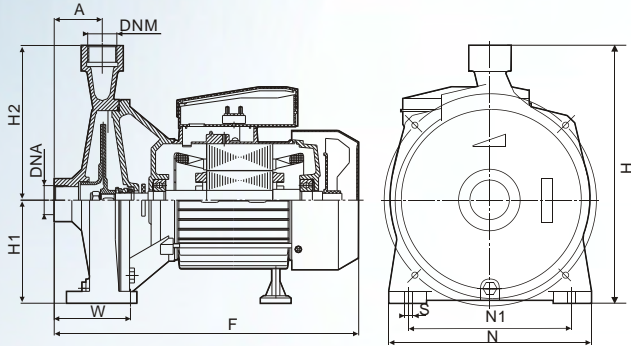
安装尺寸图请查看57页。
For installation dimensions, please reference to page 57.

技术参数 PERFORMANCE SPECIFICATIONS

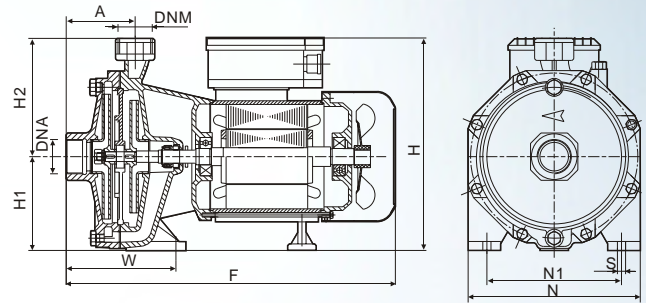
型号 Model	功率 Power		电流 Ampere (A)	最大吸程 Suct. max (m)	进出口管径 Inlet/Outlet DIA	流量 Q=capacity							
						m³/h	0	1.2	2.4	3.6	4.8	5.4	5.7
	HP	kW	220V/50Hz	l/min	0	20	40	60	80	90	95	110	
KSM-22	0.56	0.4	2.9	9	1"x1"	22	19	15	10	5	-	-	-
KSM-42	0.75	0.55	3.8		1"x1"	27	23.5	21.3	17.3	12	9	7	-
KSM-50	1	0.75	5.2		1"x1"	32	30	27.5	24	19	16	14	8

*110V, 110/220V, 60Hz etc. Models are available on request.

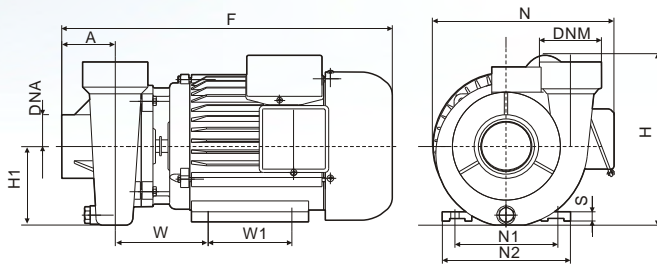
离心泵系列 CENTRIFUGAL PUMP SERIES



KCP, KSM, KWP, KYP Series



KCP2 Series



KXP, KYPm Series

安装尺寸 INSTALLATION DIMENSIONS

型号 Model	尺寸 DIMENSIONS (mm)										
	A	F	H	H1	H2	N	N1	N2	W	W1	S
1KCP-130	42	295	211	82	129	170	135	-	-	-	10
1KCP-146	44	305	242	100	142	190	160	-	-	-	10
1KCP-158	44	305	242	100	142	190	160	-	-	-	10
1KCP-170	51	367	260	110	150	206	165	-	44.5	-	10
1.5KCP-180	53	360	262	112	150	207	160	-	-	-	10
2KCP-200	30	388	259	112	147	207	160	-	32	-	11
KCP2-45	84	378	263	110	153	225	185	-	135	-	11
KCP2-52	86	400	256	115	148	210	165	-	140	-	10
KCP2-60A	86	400	256	115	148	210	165	-	140	-	10
KCP2-60B	86	400	256	115	148	210	165	-	140	-	10
KCP2-68	90	450	320	140	175	240	200	-	160	-	14
1KXP-201	30	300	180	80	-	190	110	138	130	75	10
1.5KXP-203	45	330	199	80	-	190	110	138	155	90	10
2KXP-204	45	330	199	80	-	190	110	138	155	90	10
2KXP-205	67	390	206	90	-	226	140	168	182	100	10
3KXP-207	98	405	280	122	-	122	145	185	165	245	10
KSM-22	43	275	197	83	114	150	108	-	100	-	10
KSM-42	45	303	242	98	144	165	140	-	108	-	10
KSM-50	45	303	242	98	144	165	140	-	108	-	10
KWP-180	54.5	346	287	111	176	230	185	-	86.5	-	10
KWP-200	54.5	346	287	111	176	230	185	-	86.5	-	10
1KYP-14	44	160	173	63	110	118	100	148	121	-	10
1KYP-20	44	298	191	71	120	136	112	168	122	-	10
1.5KYP-20	43	298	191	71	120	136	112	168	121	-	10
1.5KYPm-16	45	330	199	80	-	190	110	138	110	90	10
2KYPm-16	61	360	207	90	-	185	130	162	101	92	10
2KYPm-20	61	360	207	90	-	185	130	162	101	92	10