



Clean water pump series are high efficient household electric pumps, with the miniature heavy-duty electric motor and the peripheral pump couple directly. They have the advantages of simple construction, small measurement, light weight, higher head, easy operation and maintenance.

They do well in carrying clean water or the liquid whose physical and chemical nature similar to clean water, not exceeding 40°C. They are ideal for household well water pumping, water injection supplying, car washing, and garden watering etc.

清水泵系列是一款高效家用电动水泵，其水力部分直接和铝壳大马力电机联接，具有结构简单可靠，体积小，重量轻，使用维护方便的特点。

清水泵为漩涡式叶轮结构，内配热保护装置，保护电机，具有高扬程，小流量的工作特性，可输送不超过40℃清水(或物理化学特性与水接近的液态介质)，适于家庭用户从浅井或水池中抽水，加压供水，洗车，园林灌溉或小型家庭作坊等用途。

清水泵系列

CLEAN WATER PUMP SERIES



浅井抽水
Well
pumping



供水
Water
Supplying



园林灌溉
Garden
Watering



工业
Industry



农业
Agriculture

KP 清水泵 CLEAN WATER PUMP



CONSTRUCTION

PUMP: Peripheral

Pump Body: Cast Iron / Cast Iron With Brass Insert
/ Cast Iron With Stainless Steel Insert

Impeller: Brass

Mechanical Seal: Carbon + Ceramic + Stainless Steel + Rubber

Front Cover: Cast Iron / Cast Iron With Brass / Cast Iron
With Stainless Steel / Aluminium With Brass

MOTOR: Single Phase Heavy Duty Continuous Work

Motor Housing: Aluminium

Shaft: Carbon Steel / 304 Stainless Steel Welded
/ 420 Stainless Steel

Insulation: Class B / Class F

Protection: IP44 / IP54

Cooling: External Ventilation

结构特征

泵：旋涡式清水泵

泵体：铸铁/铸铁镶铜/铸铁镶不锈钢

叶轮：铜

机械密封：石墨+陶瓷+不锈钢+橡胶

前端盖：铸铁/铸铁镶铜/铸铁镶不锈钢/铝压铸镶铜

电机：单相大马力连续工作制

电机机座：铝压铸

转轴：45#碳钢/304不锈钢焊接轴/整轴420不锈钢

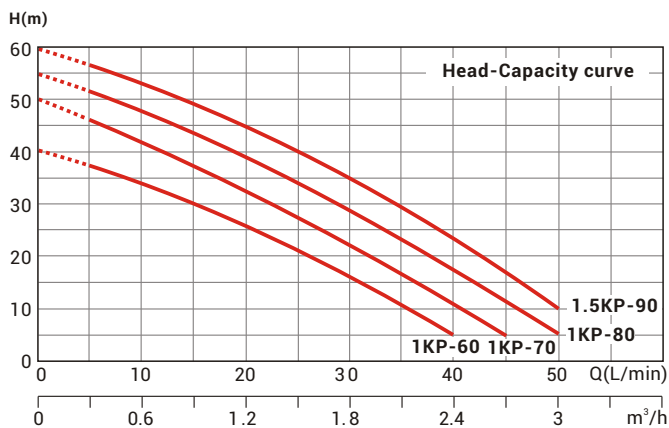
绝缘等级：B级/F级

防护等级：IP44/IP54

冷却方式：风冷



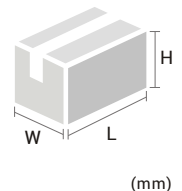
1KP-60



包装尺寸及毛重

PACKAGE DIMENSIONS & G.W.

型号 Model	长 L	宽 W	高 H	重量 KG	1X20"柜数量 1X20" FCL QTY (pcs)
1KP-60	285	150	185	5.3	3400
1KP-70	335	180	200	9.5	2200
1KP-80	335	180	200	10	2200
1.5KP-90	425	200	225	22	1100



安装尺寸图请查看55页

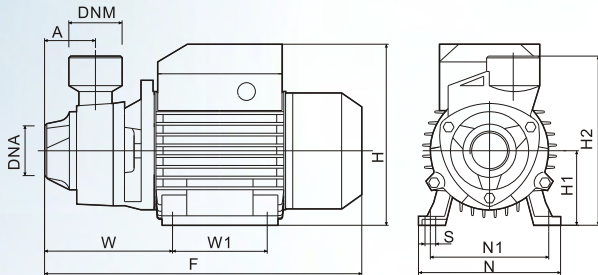
For installation dimensions, please reference to page 55.

技术参数 PERFORMANCE SPECIFICATIONS

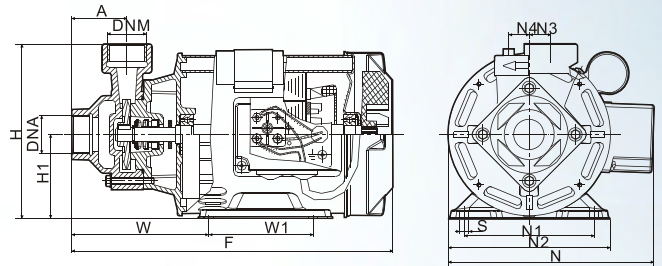
型号 Model	功率 Power		电流 Ampere (A)	最大吸程 Suct. max (m)	进出口管径 Inlet/Outlet DIA	流量 Q=capacity										
						扬程 H (m)										
						m³/h 0	0.3	0.6	0.9	1.2	1.5	1.8	2.1	2.4	2.7	3
1KP-60	HP	kW	220V/50Hz	9	1"x1"	40	38	33.5	29	24	19.5	15	10	5	-	-
1KP-70	0.75	0.55	3.8		1"x1"	50	45	39	34	28	23	18	13	8	5	-
1KP-80	1	0.75	5.2		1"x1"	55	50	46	42	38	33	28	23	17	10	5
1.5KP-90	1.5	1.1	7		1.5"x1.5"	60	56	51	47	43	39	35	29	23	18	10

+110V,110/220V/60Hz etc. Models are available on request.

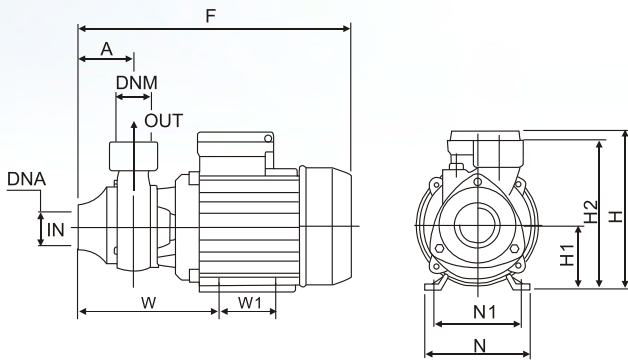
清水泵系列 CLEAN WATER PUMP SERIES



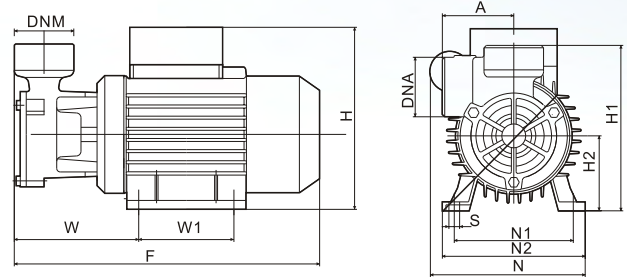
KP, IDB, KFP0, KRP, KP-60C Series



CP-130 Series



KPM Series



KDB, KFP1 Series

安装尺寸 INSTALLATION DIMENSIONS

型号 Model	尺寸 DIMENSIONS (mm)												
	A	F	H	H1	H2	N	N1	N2	N3	N4	W	W1	S
1KP-60	45	265	152	63	138	118	100	-	-	-	110	80	10
1KP-70	50	305	181	71	156	136	112	-	-	-	122	90	10
1KP-80	50	305	181	71	156	136	112	-	-	-	122	90	10
1.5KP-90	68	380	182	80	175	180	162	-	-	-	138	100	10
IDB-35	50	268	155	63	143	142	100	-	-	-	115	80	10
IDB-40	55	305	176	71	152	155	112	-	-	-	120	90	10
IDB-50	55	305	176	71	152	155	112	-	-	-	120	90	10
IDB-60	68	380	182	80	156	180	130	-	-	-	138	100	10
CP130(PM16)	47.5	277	150	72	-	178	112	139	20	18	118	90	8
KPM-45	50	265	155	63	143	120	97	-	-	-	67	80	10
KPM-60	50	290	172	71	156	135	112	-	-	-	71.5	90	10
KPM-80	50	290	172	71	156	135	112	-	-	-	71.5	90	10
KDB-125A	60	256	154	143	63	118	110	118	-	-	-	101	10
KDB-330A	60	256	154	143	63	118	110	118	-	-	-	101	10
KDB-550A	72	305	176	176	71	136	112	136	-	-	-	122	10
KDB-750A	72	305	176	176	71	136	112	136	-	-	-	122	10
KFP0	35	215	166	63	143	120	100	-	-	-	60	80	7
KFP1	23	225	166	109	143	120	100	-	-	-	68	80	7
KRP-16M	42	247	158	63	138	132	65	-	-	-	64	-	8
KP-60C	22.5	198	158	63	153	122	100	-	-	-	40.5	80	7