



Centrifugal pumps series are single stage, high efficient electric pumps, consists of a miniature motor and a single impeller (or twin impeller) centrifugal pump. They have a good performance in Big Capacity and High Head.

They are widely used in well-pumping, water supplying, decanting,

离心泵系列为单级高效电动泵，由单叶轮离心水泵（或双叶轮离心泵）与高效单相电动机直连构成。具有大流量、高扬程的特性曲线，广泛使用于浅井抽水，供水，园林灌溉、工业和农业等用途。可输送不超过40℃清水（或物理化学特性与水接近的液态介质）。

## 离心泵系列

# CENTRIFUGAL PUMPS SERIES



浅井抽水  
Well  
pumping



供水  
Water  
Supplying



园林灌溉  
Garden  
Watering



工业  
Industry



农业  
Agriculture

## KCP 离心泵 CENTRIFUGAL PUMP

### CONSTRUCTION

#### PUMP: Centrifugal

Pump Body: Cast Iron  
Impeller: Brass / Stainless Steel / P.P.O Plastics  
Mechanical Seal: Carbon + Ceramic + Stainless Steel + Brass  
Front Cover: Cast Iron

#### MOTOR: Single Phase Heavy Duty Continuous Work

Motor Housing: Aluminium  
Shaft: Carbon Steel / 304 Stainless Steel Welded / 420 Stainless Steel  
Insulation: Class B / Class F  
Protection: IP44 / IP54  
Cooling: External Ventilation

### 结构特征

泵：单级离心泵

泵体：铸铁

叶轮：铜/不锈钢/P.P.O.塑料(可选)

机械密封：石墨+陶瓷+不锈钢+橡胶

前端盖：铸铁

电机：单相大马力连续工作制

电机机座：铝压铸

转轴：45#碳钢/304不锈钢焊接轴/整轴420不锈钢

绝缘等级：B级/F级

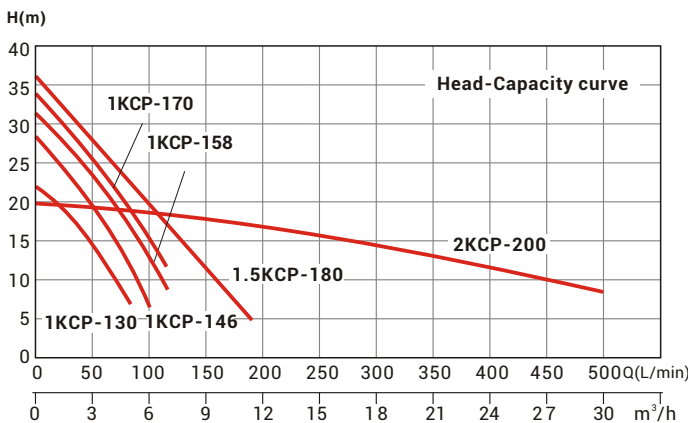
防护等级：IP44/IP54

冷却方式：风冷



KCP200

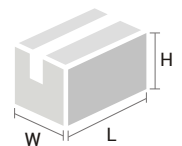
KCP158



### 包装尺寸及毛重

#### PACKAGE DIMENSIONS & G.W.

型号 Model	长 L	宽 W	高 H	重量 KG	1X20"柜数量 1X20" FCL QTY (pcs)
1KCP-130	310	170	230	8.9	2500
1KCP-146	340	210	260	12.2	1500
1KCP-158	340	210	260	13.8	1500
1KCP-170	390	220	270	20	1280
1.5KCP-180	400	220	280	21	1120
2KCP-200	420	220	270	23	1120



(mm)

安装尺寸图请查看57页。

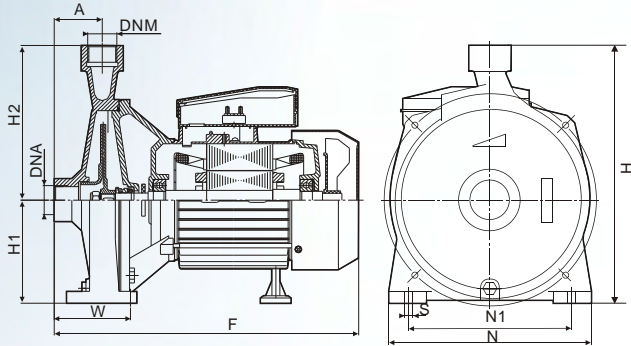
For installation dimensions, please reference to page 57.

### 技术参数 PERFORMANCE SPECIFICATIONS

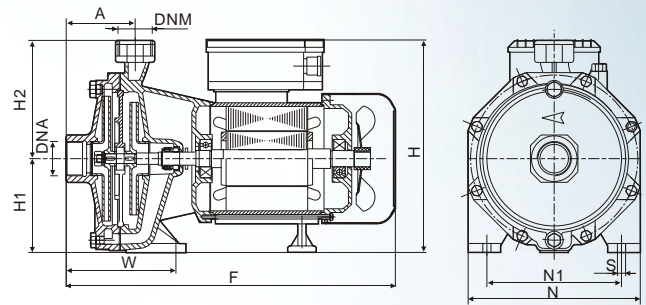
型号 Model	功率 Power		电流 Ampere (A)	最大吸程 Suct. max (m)	进出口管径 Inlet/Outlet DIA	流量 Q=capacity													
						扬程 H (m)													
						m³/h	1.2	2.4	3.6	4.8	5.4	6	6.6	9	11	18	24	30	
	HP	kW	220V/50Hz			l/min	0	20	40	60	80	90	100	110	150	180	300	400	500
1KCP-130	0.56	0.4	2.9	9	1"x1"	22	18	15	10	6	-	-	-	-	-	-	-	-	-
1KCP-146	0.75	0.55	3.8		1"x1"	28	25	22	18	14	10	6	-	-	-	-	-	-	-
1KCP-158	1	0.75	5.2		1"x1"	32	30	26.5	23	18	15	12	8	-	-	-	-	-	-
1KCP-170	1.5	1.1	7.8		1.25"x1"	34	32	28	25	21	18	15	12.8	-	-	-	-	-	-
1.5KCP-180	1.5	1.1	7.8		1.25"x1"	36	-	30	27	24	22	20	18.5	12	5	-	-	-	-
2KCP-200	2	1.5	9.6		2"x2"	20	-	19.9	-	19.8	-	19.3	-	18.5	18	16	13	8	-

\*110V,110/220V,60Hz etc. Models are available on request.

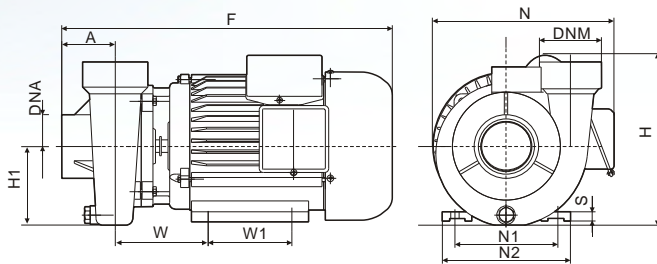
## 离心泵系列 CENTRIFUGAL PUMP SERIES



KCP, KSM, KWP, KYP Series



KCP2 Series



KXP, KYPm Series

### 安装尺寸 INSTALLATION DIMENSIONS

型号 Model	尺寸 DIMENSIONS (mm)										
	A	F	H	H1	H2	N	N1	N2	W	W1	S
1KCP-130	42	295	211	82	129	170	135	-	-	-	10
1KCP-146	44	305	242	100	142	190	160	-	-	-	10
1KCP-158	44	305	242	100	142	190	160	-	-	-	10
1KCP-170	51	367	260	110	150	206	165	-	44.5	-	10
1.5KCP-180	53	360	262	112	150	207	160	-	-	-	10
2KCP-200	30	388	259	112	147	207	160	-	32	-	11
KCP2-45	84	378	263	110	153	225	185	-	135	-	11
KCP2-52	86	400	256	115	148	210	165	-	140	-	10
KCP2-60A	86	400	256	115	148	210	165	-	140	-	10
KCP2-60B	86	400	256	115	148	210	165	-	140	-	10
KCP2-68	90	450	320	140	175	240	200	-	160	-	14
1KXP-201	30	300	180	80	-	190	110	138	130	75	10
1.5KXP-203	45	330	199	80	-	190	110	138	155	90	10
2KXP-204	45	330	199	80	-	190	110	138	155	90	10
2KXP-205	67	390	206	90	-	226	140	168	182	100	10
3KXP-207	98	405	280	122	-	122	145	185	165	245	10
KSM-22	43	275	197	83	114	150	108	-	100	-	10
KSM-42	45	303	242	98	144	165	140	-	108	-	10
KSM-50	45	303	242	98	144	165	140	-	108	-	10
KWP-180	54.5	346	287	111	176	230	185	-	86.5	-	10
KWP-200	54.5	346	287	111	176	230	185	-	86.5	-	10
1KYP-14	44	160	173	63	110	118	100	148	121	-	10
1KYP-20	44	298	191	71	120	136	112	168	122	-	10
1.5KYP-20	43	298	191	71	120	136	112	168	121	-	10
1.5KYPm-16	45	330	199	80	-	190	110	138	110	90	10
2KYPm-16	61	360	207	90	-	185	130	162	101	92	10
2KYPm-20	61	360	207	90	-	185	130	162	101	92	10