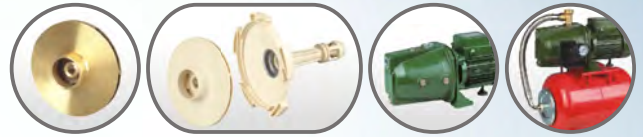


KM-80 自喷射流泵

CENTRIFUGAL SELF-PRIMING JET PUMP



CONSTRUCTION

PUMP: Centrifugal Self-Priming JET

Pump Body: Cast Iron
 Impeller: Brass / P.P.O. Plastics
 Mechanical Seal: Carbon + Ceramic + Stainless steel + Rubber
 Front cover: Cast Iron
 Nozzle: P.P.O. Plastics
 JET Pipe: P.P.O. Plastics
 Diffusor: P.P.O. Plastics

MOTOR: Single Phase Heavy Duty Continuous Work

Motor Housing: Aluminium
 Shaft: Carbon Steel / 304 Stainless Steel Welded / 420 Stainless Steel
 Insulation: Class B / Class F
 Protection: IP44 / IP54
 Cooling: External ventilation

结构特征

泵：离心自吸式喷射泵

泵体：铸铁
 叶轮：铜/P.P.O.塑料(可选)
 机械密封：石墨+陶瓷+不锈钢+橡胶
 前端盖：铸铁
 喷嘴：P.P.O.塑料
 直管：P.P.O.塑料
 导流盘：P.P.O.塑料

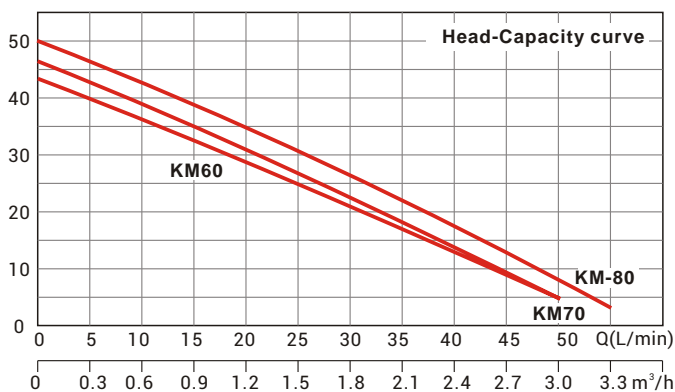
电机：单相大马力连续工作制

电机机座：铝压铸
 转轴：45#碳钢/304不锈钢焊接轴/整轴420不锈钢
 绝缘等级：B级/F级
 防护等级：IP44/IP54
 冷却方式：风冷



KM-80

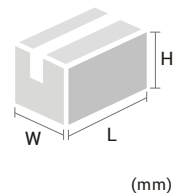
H(m)



包装尺寸及毛重

PACKAGE DIMENSIONS & G.W.

型号 Model	长 L	宽 W	高 H	重量 KG	1X20"柜数量 1X20" FCL QTY (pcs)
KM60	465	205	225	15.5	1300
KM70	465	205	225	16	1300
KM-80	465	205	225	17.5	1300



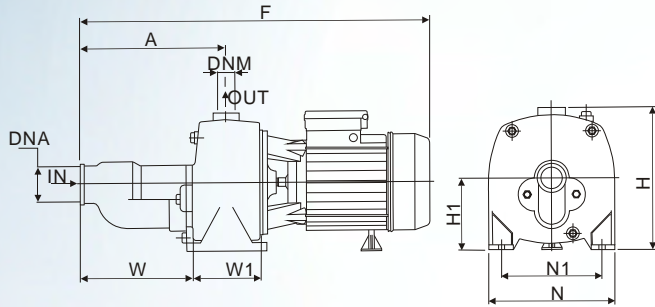
安装尺寸图请查看61页。

For installation dimensions, please reference to page 61.

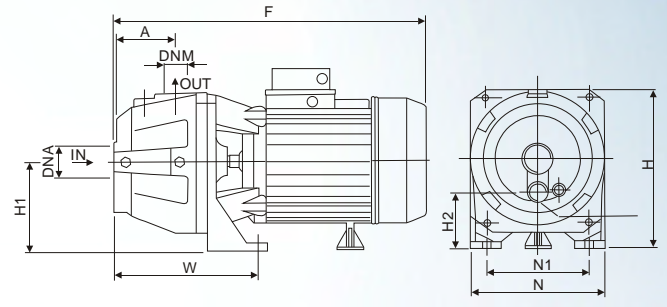
技术参数 PERFORMANCE SPECIFICATIONS

型号 Model	功率 Power		电流 Ampere (A)	最大吸程 Suct. max (m)	进出口管径 Inlet/Outlet DIA	流量 Q=capacity											
						m³/h	0	0.3	0.6	0.9	1.2	1.5	1.8	2.4	2.7	3	3.1
	HP	kW	220V/50Hz	l/min	0	5	10	15	20	25	30	40	45	50	52	55	
KM-60	0.5	0.37	3.2	9	1"x1"	43	40	38	36	34	31.5	29	19	7	5	-	-
KM-70	0.8	0.6	4.2		1"x1"	47	44	41	38	36	33	31	25	10	5	-	-
KM-80	1	0.75	5.2		1"x1"	50	47	44	47	39	36	36	30	28	23	8	4

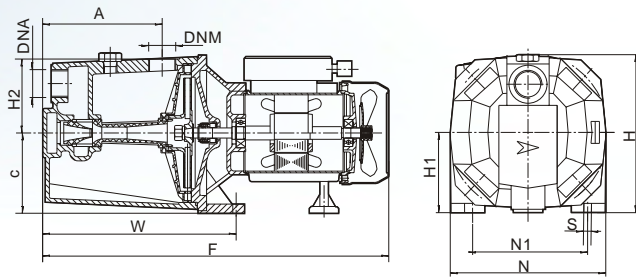
*110V,110/220V,60Hz etc. Models are available on request.



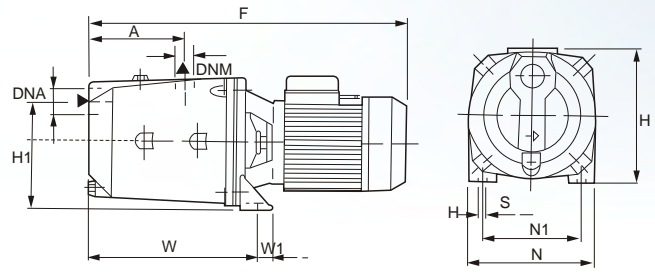
KAB Series



KAP Series



KJM, KM-80, KJ-100M Series



KJ-200M Series

安装尺寸 INSTALLATION DIMENSIONS

型号 Model	尺寸 DIMENSIONS (mm)											
	A	F	H	H1	H2	H3	H4	N	N1	W	W1	S
KAB150	257	596	240	112	-	-	-	220	177	204	105	10
KAB200	257	596	240	112	-	-	-	220	177	204	105	10
KAB300	257	596	240	112	-	-	-	220	177	204	105	10
KAP75	82	360	195	185	52	-	-	180	140	168	-	10
KAP100	82	360	195	185	52	-	-	180	140	168	-	10
KAP150	74	415	230	240	60	-	-	220	177	125	-	10
KAP200	74	415	230	240	60	-	-	220	177	125	-	10
KJM50	140	420	195	90	95	185	-	180	140	230	-	10
KJM75	140	420	195	90	95	185	-	180	140	230	-	10
KJM100	140	420	195	90	95	185	-	180	140	230	-	10
KM-60	140	435	220	100	95	185	-	180	140	230	-	10
KM-70	140	435	220	100	95	185	-	180	140	230	-	10
KM-80	140	435	220	100	95	185	-	180	140	230	-	10
KJ-102M	106	420	108	94	80	174	145	170.5	111	192	-	9
KJ-80M	140	440	220	100	90	190	-	181	140	235	-	10
KJ-100M	140	440	220	100	90	190	-	181	140	235	-	10
KJ-200M	151	521	227	175	-	-	-	214	160	282	20	11
KJ-300M	151	521	227	175	-	-	-	214	160	282	20	11
KDP-100	100	395	210	45	90	-	-	176	140	145	-	10
KDP-151	54	410	270	112	-	-	-	192	146	118	-	10
KDP-251	54	410	270	112	-	-	-	192	146	118	-	10