

## KAP 深井自吸射流泵 DEEP WELL SELF-PRIMING JET PUMP



### CONSTRUCTION

#### PUMP: Centrifugal - Self Priming JET (Double Suction)

Pump Body: Cast Iron  
Impeller: Brass / P.P.O. Plastics  
Mechanical Seal: Carbon + Ceramic + Stainless steel + Rubber  
Front cover: Cast Iron

#### MOTOR: Single Phase Heavy Duty Continuous Work

Motor Housing: Aluminium  
Shaft: Carbon Steel / 304 Stainless Steel Welded / 420 Stainless Steel  
Insulation: Class B / Class F  
Protection: IP44 / IP54  
Cooling: External ventilation

### 结构特征

泵: 离心自吸式喷射泵  
泵体: 铸铁  
叶轮: 铜/P.P.O.塑料(可选)  
机械密封: 石墨+陶瓷+不锈钢+橡胶  
前端盖: 铸铁

#### 电机: 单相大马力连续工作制

电机机座: 铝压铸  
转轴: 45#碳钢/304不锈钢焊接轴/整轴420不锈钢  
绝缘等级: B级/F级  
防护等级: IP44/IP54  
冷却方式: 风冷



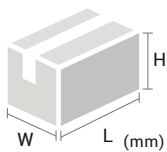
(Ejector I)

KAP75  
KAP100

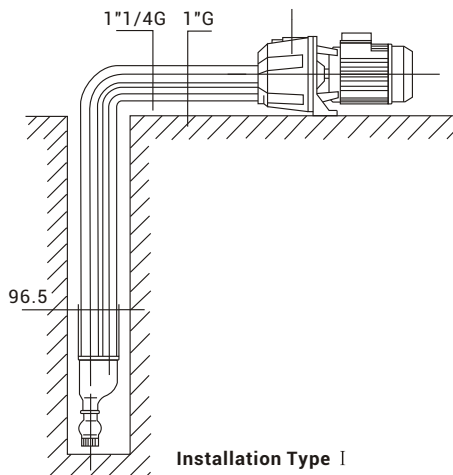
### 包装尺寸及毛重

#### PACKAGE DIMENSIONS & G.W.

| 型号<br>Model | 长<br>L | 宽<br>W | 高<br>H | 重量<br>KG | 1X20"柜数量<br>1X20" FCL<br>QTY<br>(pcs) |
|-------------|--------|--------|--------|----------|---------------------------------------|
| KAP 75      | 440    | 200    | 225    | 16.7     | 1450                                  |
| KAP 100     | 440    | 200    | 225    | 18       | 1450                                  |



安装尺寸图请查看61页。  
For installation dimensions, please reference to page 61.



Installation Type I

### 技术参数 PERFORMANCE SPECIFICATIONS

| 型号<br>Model | 功率<br>Power |      | 电流<br>Ampere<br>(A) | 喷射型号<br>Ejector<br>Type | 最大吸程<br>Suct. max<br>(m) | 进出口管径<br>Inlet/Outlet<br>DIA | 流量 Q=capacity |                        |      |     |     |     |     |     |     |  |
|-------------|-------------|------|---------------------|-------------------------|--------------------------|------------------------------|---------------|------------------------|------|-----|-----|-----|-----|-----|-----|--|
|             | HP          | kW   |                     |                         |                          |                              | 220V/50Hz     | m <sup>3</sup> /h 0.18 | 0.36 | 0.6 | 0.9 | 1.2 | 1.5 | 1.8 | 2.1 |  |
|             |             |      |                     |                         |                          |                              | l/min         | 3                      | 6    | 10  | 15  | 20  | 25  | 30  | 35  |  |
|             |             |      |                     |                         |                          |                              | 扬程 H (m)      |                        |      |     |     |     |     |     |     |  |
| KAP 75      | 0.8         | 0.6  | 3.7                 | P20                     | 15                       | 1.25"x1"x1"                  | 31            | 28                     | 25   | 22  | 19  | 17  | 15  | 12  |     |  |
|             |             |      |                     |                         | 20                       | 1.25"x1"x1"                  | 28            | 23                     | 18   | 15  | 13  | 11  | -   | -   |     |  |
|             |             |      |                     | P30                     | 25                       | 1.25"x1"x1"                  | 22            | 16                     | 11   | 8   | -   | -   | -   | -   | -   |  |
|             |             |      |                     |                         | 30                       | 1.25"x1"x1"                  | 14            | 8                      | -    | -   | -   | -   | -   | -   | -   |  |
| KAP 100     | 1           | 0.75 | 4.7                 | P20                     | 15                       | 1.25"x1"x1"                  | 40            | 37                     | 34   | 30  | 27  | 24  | 21  | 17  |     |  |
|             |             |      |                     |                         | 20                       | 1.25"x1"x1"                  | 37            | 34                     | 30   | 25  | 21  | 17  | -   | -   |     |  |
|             |             |      |                     | P30                     | 25                       | 1.25"x1"x1"                  | 30            | 25                     | 20   | 14  | 11  | -   | -   | -   | -   |  |
|             |             |      |                     |                         | 30                       | 1.25"x1"x1"                  | 14            | 8                      | -    | -   | -   | -   | -   | -   | -   |  |
|             |             |      |                     |                         | 35                       | 1.25"x1"x1"                  | 12            | 4                      | -    | -   | -   | -   | -   | -   | -   |  |

\*110V, 110/220V, 60Hz etc. Models are available on request.

## KAP 深井自吸射流泵 DEEP WELL SELF-PRIMING JET PUMP

### CONSTRUCTION

**PUMP: Centrifugal - Self Priming JET / Twin Impellers (Double Suction)**

Pump Body: Cast Iron

Impeller: Brass / P.P.O. Plastics

Mechanical Seal: Carbon + Ceramic + Stainless steel + Rubber

Front cover: Cast Iron

**MOTOR: Single Phase Heavy Duty Continuous Work**

Motor Housing: Aluminium

Shaft: Carbon Steel / 304 Stainless Steel Welded / 420 Stainless Steel

Insulation: Class B / Class F

Protection: IP44 / IP54

Cooling: External ventilation

### 结构特征

泵：离心自吸式喷射泵

泵体：铸铁

叶轮：铜/P.P.O.塑料(可选)

机械密封：石墨+陶瓷+不锈钢+橡胶

前端盖：铸铁

电机：单相大马力连续工作制

电机机座：铝压铸

转轴：45#碳钢/304不锈钢焊接轴/整轴420不锈钢

绝缘等级：B级/F级

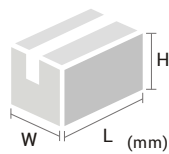
防护等级：IP44/IP54

冷却方式：风冷

### 包装尺寸及毛重

#### PACKAGE DIMENSIONS & G.W.

| 型号<br>Model | 长<br>L | 宽<br>W | 高<br>H | 重量<br>KG | 1X20"柜数量<br>1X20"FCL<br>QTY<br>(pcs) |
|-------------|--------|--------|--------|----------|--------------------------------------|
| KAP 150     | 440    | 200    | 225    | 16.7     | 700                                  |
| KAP 200     | 440    | 200    | 225    | 18       | 700                                  |



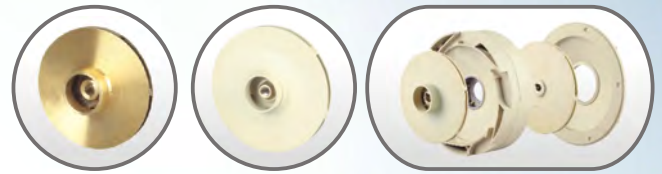
安装尺寸图请查看61页。

For installation dimensions, please reference to page 61.

### 技术参数 PERFORMANCE SPECIFICATIONS

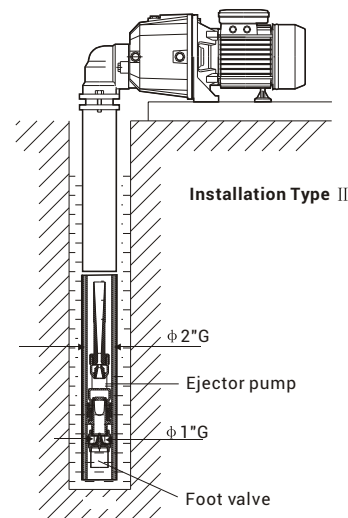
| 型号<br>Model | 功率<br>Power |      | 电流<br>Ampere<br>(A) | 喷射型号<br>Ejector<br>Type | 最大吸程<br>Suct. max<br>(m) | 进出口管径<br>Inlet/Outlet<br>DIA | 流量 Q=capacity     |    |      |    |      |    |     |    |     |    |     |    |     |   |     |   |     |   |     |  |     |  |
|-------------|-------------|------|---------------------|-------------------------|--------------------------|------------------------------|-------------------|----|------|----|------|----|-----|----|-----|----|-----|----|-----|---|-----|---|-----|---|-----|--|-----|--|
|             |             |      |                     |                         |                          |                              | m <sup>3</sup> /h |    | 0.18 |    | 0.36 |    | 0.6 |    | 0.9 |    | 1.2 |    | 1.5 |   | 1.8 |   | 2.1 |   | 3.0 |  | 3.6 |  |
|             |             |      |                     |                         |                          |                              | l/min             |    | 3    | 6  | 10   | 15 | 20  | 25 | 30  | 35 | 50  | 60 |     |   |     |   |     |   |     |  |     |  |
| KAP 150     | 1.5         | 1.1  | 8.2                 | P20                     | 15                       | 1.25"x1"x1"                  | -                 | -  | -    | -  | -    | -  | -   | -  | 42  | 35 | 25  | 21 | -   | - | -   | - |     |   |     |  |     |  |
|             |             |      |                     |                         | 20                       | 1.25"x1"x1"                  | -                 | -  | -    | -  | 50   | 37 | 30  | 21 | -   | -  | -   | -  | -   | - | -   | - | -   |   |     |  |     |  |
|             |             |      |                     |                         | 25                       | 1.25"x1"x1"                  | -                 | -  | -    | -  | 45   | 34 | 27  | -  | -   | -  | -   | -  | -   | - | -   | - | -   | - |     |  |     |  |
|             |             |      |                     |                         | 35                       | 1.25"x1"x1"                  | -                 | -  | 49   | 41 | 20   | -  | -   | -  | -   | -  | -   | -  | -   | - | -   | - | -   | - |     |  |     |  |
|             |             |      |                     |                         | 40                       | 1.25"x1"x1"                  | -                 | 48 | 40   | -  | -    | -  | -   | -  | -   | -  | -   | -  | -   | - | -   | - | -   | - |     |  |     |  |
|             |             |      |                     |                         | 50                       | 1.25"x1"x1"                  | 49                | 43 | 20   | -  | -    | -  | -   | -  | -   | -  | -   | -  | -   | - | -   | - | -   |   |     |  |     |  |
| KAP 200     | 2.2         | 1.65 | 10.3                | P20                     | 15                       | 1.25"x1"x1"                  | -                 | -  | -    | -  | -    | -  | -   | -  | 46  | 35 | 30  | -  | -   | - | -   |   |     |   |     |  |     |  |
|             |             |      |                     |                         | 20                       | 1.25"x1"x1"                  | -                 | -  | -    | -  | 48   | 43 | 32  | 27 | -   | -  | -   | -  | -   | - | -   |   |     |   |     |  |     |  |
|             |             |      |                     |                         | 25                       | 1.25"x1"x1"                  | -                 | -  | -    | -  | 50   | 44 | 40  | 28 | 23  | -  | -   | -  | -   | - | -   |   |     |   |     |  |     |  |
|             |             |      |                     |                         | 35                       | 1.25"x1"x1"                  | -                 | -  | -    | -  | 28   | 20 | -   | -  | -   | -  | -   | -  | -   | - | -   |   |     |   |     |  |     |  |
|             |             |      |                     |                         | 40                       | 1.25"x1"x1"                  | -                 | -  | 46   | -  | -    | -  | -   | -  | -   | -  | -   | -  | -   | - | -   | - |     |   |     |  |     |  |
|             |             |      |                     |                         | 50                       | 1.25"x1"x1"                  | -                 | 49 | 40   | 30 | -    | -  | -   | -  | -   | -  | -   | -  | -   | - | -   |   |     |   |     |  |     |  |

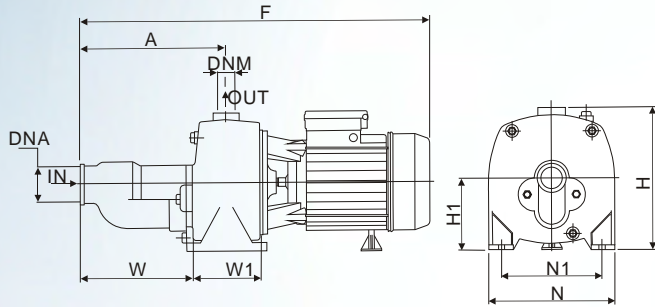
\*110V,110/220V/60Hz etc. Models are available on request.



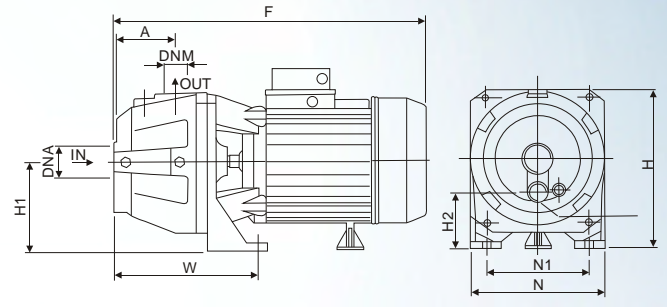
(Ejector II)

KAP150  
KAP200

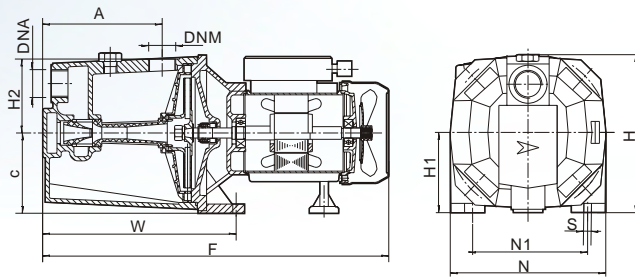




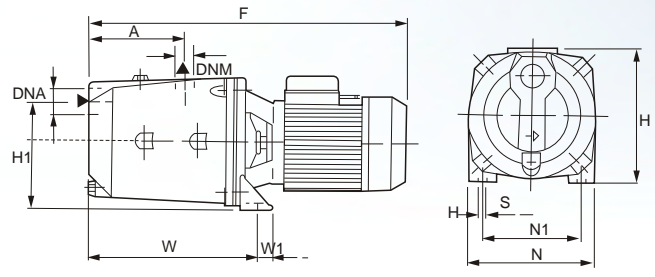
**KAB Series**



**KAP Series**



**KJM, KM-80, KJ-100M Series**



**KJ-200M Series**

## 安装尺寸 INSTALLATION DIMENSIONS

| 型号<br>Model | 尺寸 DIMENSIONS (mm) |     |     |     |    |     |     |       |     |     |     |    |
|-------------|--------------------|-----|-----|-----|----|-----|-----|-------|-----|-----|-----|----|
|             | A                  | F   | H   | H1  | H2 | H3  | H4  | N     | N1  | W   | W1  | S  |
| KAB150      | 257                | 596 | 240 | 112 | -  | -   | -   | 220   | 177 | 204 | 105 | 10 |
| KAB200      | 257                | 596 | 240 | 112 | -  | -   | -   | 220   | 177 | 204 | 105 | 10 |
| KAB300      | 257                | 596 | 240 | 112 | -  | -   | -   | 220   | 177 | 204 | 105 | 10 |
| KAP75       | 82                 | 360 | 195 | 185 | 52 | -   | -   | 180   | 140 | 168 | -   | 10 |
| KAP100      | 82                 | 360 | 195 | 185 | 52 | -   | -   | 180   | 140 | 168 | -   | 10 |
| KAP150      | 74                 | 415 | 230 | 240 | 60 | -   | -   | 220   | 177 | 125 | -   | 10 |
| KAP200      | 74                 | 415 | 230 | 240 | 60 | -   | -   | 220   | 177 | 125 | -   | 10 |
| KJM50       | 140                | 420 | 195 | 90  | 95 | 185 | -   | 180   | 140 | 230 | -   | 10 |
| KJM75       | 140                | 420 | 195 | 90  | 95 | 185 | -   | 180   | 140 | 230 | -   | 10 |
| KJM100      | 140                | 420 | 195 | 90  | 95 | 185 | -   | 180   | 140 | 230 | -   | 10 |
| KM-60       | 140                | 435 | 220 | 100 | 95 | 185 | -   | 180   | 140 | 230 | -   | 10 |
| KM-70       | 140                | 435 | 220 | 100 | 95 | 185 | -   | 180   | 140 | 230 | -   | 10 |
| KM-80       | 140                | 435 | 220 | 100 | 95 | 185 | -   | 180   | 140 | 230 | -   | 10 |
| KJ-102M     | 106                | 420 | 108 | 94  | 80 | 174 | 145 | 170.5 | 111 | 192 | -   | 9  |
| KJ-80M      | 140                | 440 | 220 | 100 | 90 | 190 | -   | 181   | 140 | 235 | -   | 10 |
| KJ-100M     | 140                | 440 | 220 | 100 | 90 | 190 | -   | 181   | 140 | 235 | -   | 10 |
| KJ-200M     | 151                | 521 | 227 | 175 | -  | -   | -   | 214   | 160 | 282 | 20  | 11 |
| KJ-300M     | 151                | 521 | 227 | 175 | -  | -   | -   | 214   | 160 | 282 | 20  | 11 |
| KDP-100     | 100                | 395 | 210 | 45  | 90 | -   | -   | 176   | 140 | 145 | -   | 10 |
| KDP-151     | 54                 | 410 | 270 | 112 | -  | -   | -   | 192   | 146 | 118 | -   | 10 |
| KDP-251     | 54                 | 410 | 270 | 112 | -  | -   | -   | 192   | 146 | 118 | -   | 10 |