

## STP 自吸清水泵 SELF-SUCKING PUMPS



### CONSTRUCTION

#### PUMP: Peripheral - Self Sucking

Pump Body: Cast Iron  
Impeller: Brass  
Mechanical Seal: Carbon + Ceramic + Stainless Steel + Rubber  
Front cover: Cast Iron

#### MOTOR: Single Phase Heavy Duty Continuous Work

Motor Housing: Aluminium  
Shaft: Carbon Steel / 304 Stainless Steel Welded / 420 Stainless Steel  
Insulation: Class B / Class F  
Protection: IP44 / IP54  
Cooling: External Ventilation

### 结构特征

#### 泵：旋涡式自吸泵

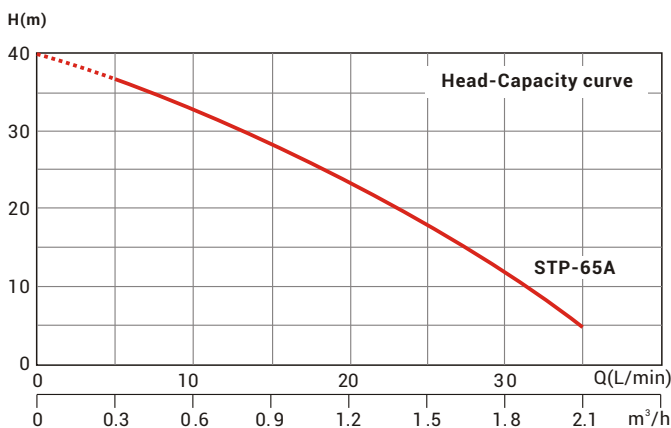
泵体：铸铁  
叶轮：铜  
机械密封：石墨+陶瓷+不锈钢+橡胶  
前端盖：铸铁

#### 电机：单相大马力连续工作制

电机机座：铝压铸  
转轴：45#碳钢/304不锈钢焊接轴/整轴420不锈钢  
绝缘等级：B级/F级  
防护等级：IP44/IP54  
冷却方式：风冷

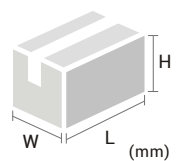


STP-65A



### 包装尺寸及毛重 PACKAGE DIMENSIONS & G.W.

型号 Model	长 L	宽 W	高 H	重量 KG	1X20"柜数量 1X20"FCL QTY (pcs)
STP-65A	275	205	250	7.0	2100



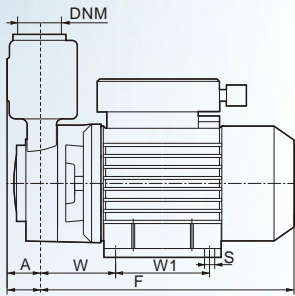
安装尺寸图请查看56页。  
For installation dimensions, please refer to page 56.

### 技术参数 PERFORMANCE SPECIFICATIONS

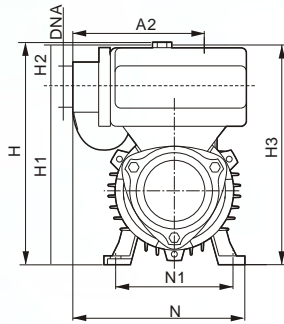
型号 Model	功率 Power		电流 Ampere (A)	最大吸程 Suct. max (m)	进出口管径 Inlet/Outlet DIA	流量 Q=capacity								
	HP	kW				m³/h	0.3	0.6	0.9	1.2	1.5	1.8	2.1	
STP-65A	0.5	0.37	2.8	9	1"x1"	0	5	10	15	20	25	30	35	
						扬程 H (m)							40	36

\*110V,110/220V,60Hz etc. Models are available on request.

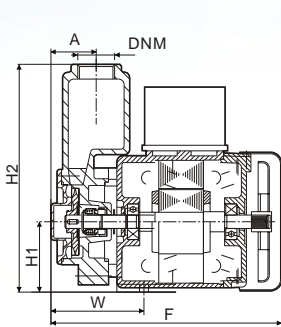
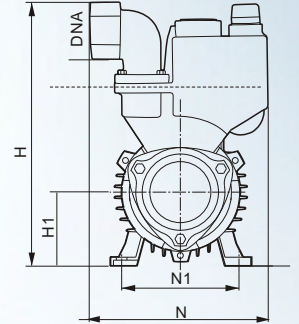
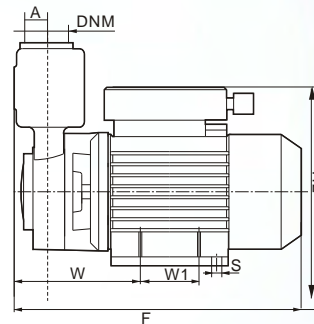
## 自吸清水泵系列 SELF-SUCKING PUMPS SERIES



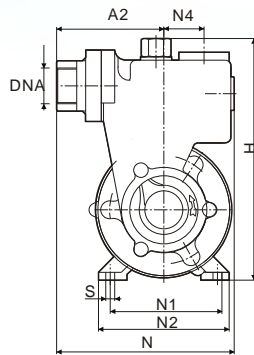
KTP Series



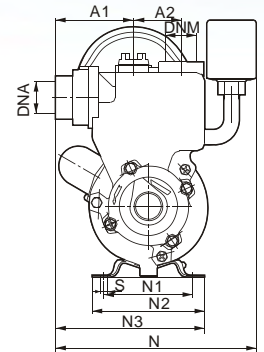
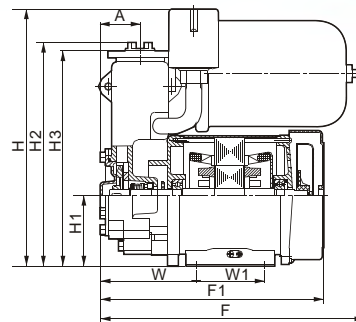
STP Series



GP Series



PS Series



### 安装尺寸 INSTALLATION DIMENSIONS

型号 Model	尺寸 DIMENSIONS (mm)																
	A	F	F1	H	H1	H2	H3	N	N1	N2	N3	N4	A1	A2	W	W1	S
1KTP-60	29	230	-	192	156	34	190	150	100	-	-	-	-	110	55	80	7
1KTP-70	29	260	-	200	164	34	198	160	112	-	-	-	-	110	62	90	7
1KTP-80	29	260	-	200	164	34	198	160	112	-	-	-	-	110	62	90	7
STP-65A	25	220	-	210	55	135	-	112	90	-	-	-	-	-	70	80	10
GP-125A	40	198	-	220	71	202	-	151	105	121	-	40	83	-	84	-	6
GP-250	40	198	-	220	71	202	-	151	105	121	-	40	83	-	84	-	6
PS130AUTO-A	40.5	265	226	256	71.5	227	217.5	200	90	114	178	-	79	48	97	69	8
PS130AUTO-B	40.5	265	226	256	71.5	227	217.5	200	90	114	178	-	79	48	97	69	8
PS126A	40.5	-	226	-	71.5	227	217.5	200	90	114	178	-	79	48	97	69	8
PS126B	40.5	-	226	-	71.5	227	217.5	200	90	114	178	-	79	48	97	69	8

INSTALLATION DIMENSIONS 安装尺寸