

KDP100 深井自吸喷射流泵 DEEP WELL SELF-PRIMING JET PUMP

CONSTRUCTION

PUMP: Centrifugal - Self Priming JET

Pump Body: Cast Iron
Impeller: Brass / P.P.O. Plastics
Diffusor / Jet pipe: P.P.O. Plastics
Mechanical Seal: Carbon + Ceramic + Stainless steel + Rubber
Front cover: Cast Iron

MOTOR: Single Phase Heavy Duty Continuous Work

Motor Housing: Aluminium
Shaft: Carbon Steel / 304 Stainless Steel Welded / 420 Stainless Steel
Insulation: Class B / Class F
Protection: IP44 / IP54
Cooling: External ventilation

结构特征

泵：离心自吸式喷射泵

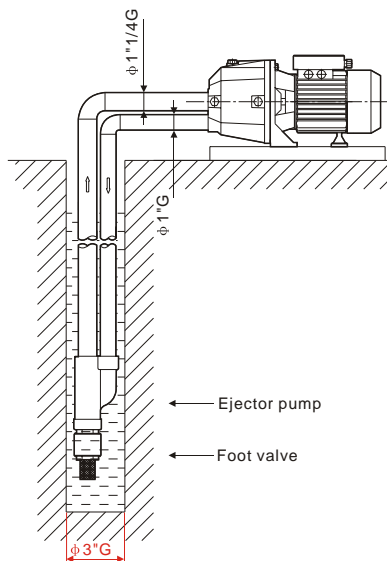
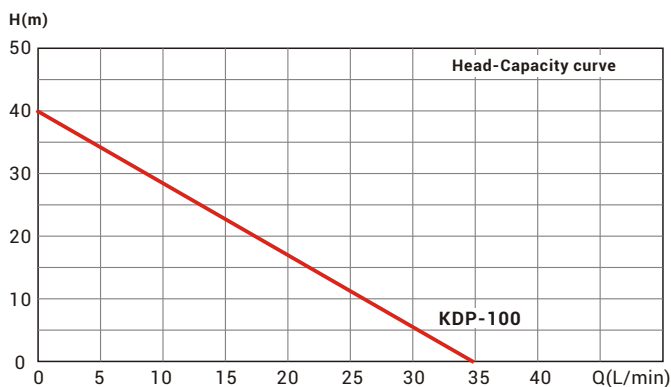
泵体：铸铁
叶轮：铜/P.P.O.塑料(可选)
导流盘/射流管：P.P.O.塑料
机械密封：石墨+陶瓷+不锈钢+橡胶
前端盖：铸铁

电机：单相大马力连续工作制

电机机座：铝压铸
转轴：45#碳钢/304不锈钢焊接轴/整轴420不锈钢
绝缘等级：B级/F级
防护等级：IP44/IP54
冷却方式：风冷



KDP-100



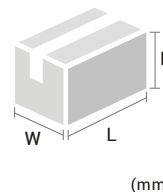
技术参数 PERFORMANCE SPECIFICATIONS

型号 Model	功率 Power		电流 Ampere (A) 220V/50Hz	最大流量 Q.max (L/min)	最大扬程 H.max (m)	最大吸程 Suct.max (m)	进出口管径 Inlet/Outlet DIA
	HP	kW					
KDP-100	1	0.75	5.2	35	40	9	1.25"x1"x1"

*110V,110/220V,60Hz etc. Models are available on request.

包装尺寸及毛重 PACKAGE DIMENSIONS & G.W.

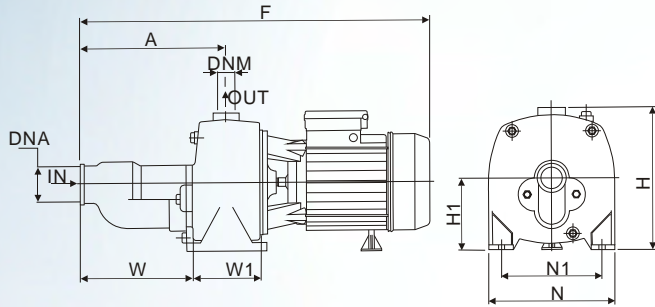
型号 Model	长 L	宽 W	高 H	重量 KG	1X20"柜数量 1X20" FCL QTY (pcs)
KDP-100	430	300	230	17	1000



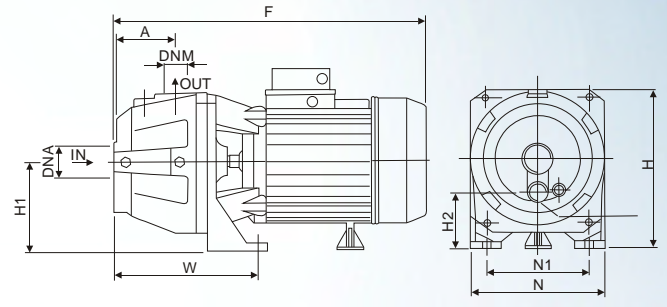
(mm)

安装尺寸图请查看61页。

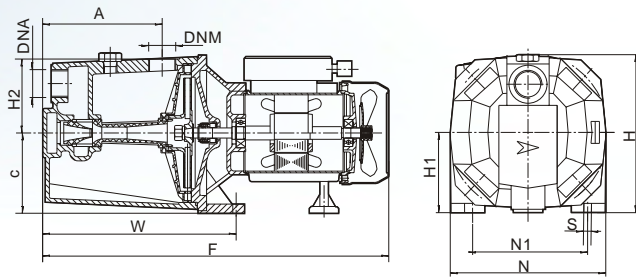
For installation dimensions, please reference to page 61.



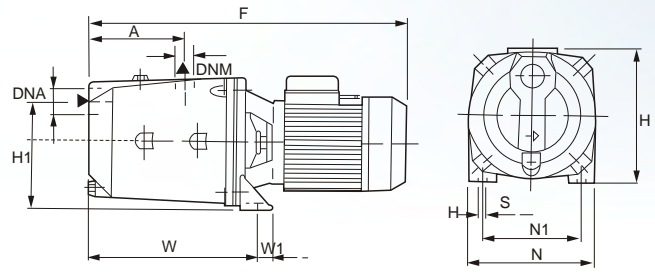
KAB Series



KAP Series



KJM, KM-80, KJ-100M Series



KJ-200M Series

安装尺寸 INSTALLATION DIMENSIONS

型号 Model	尺寸 DIMENSIONS (mm)											
	A	F	H	H1	H2	H3	H4	N	N1	W	W1	S
KAB150	257	596	240	112	-	-	-	220	177	204	105	10
KAB200	257	596	240	112	-	-	-	220	177	204	105	10
KAB300	257	596	240	112	-	-	-	220	177	204	105	10
KAP75	82	360	195	185	52	-	-	180	140	168	-	10
KAP100	82	360	195	185	52	-	-	180	140	168	-	10
KAP150	74	415	230	240	60	-	-	220	177	125	-	10
KAP200	74	415	230	240	60	-	-	220	177	125	-	10
KJM50	140	420	195	90	95	185	-	180	140	230	-	10
KJM75	140	420	195	90	95	185	-	180	140	230	-	10
KJM100	140	420	195	90	95	185	-	180	140	230	-	10
KM-60	140	435	220	100	95	185	-	180	140	230	-	10
KM-70	140	435	220	100	95	185	-	180	140	230	-	10
KM-80	140	435	220	100	95	185	-	180	140	230	-	10
KJ-102M	106	420	108	94	80	174	145	170.5	111	192	-	9
KJ-80M	140	440	220	100	90	190	-	181	140	235	-	10
KJ-100M	140	440	220	100	90	190	-	181	140	235	-	10
KJ-200M	151	521	227	175	-	-	-	214	160	282	20	11
KJ-300M	151	521	227	175	-	-	-	214	160	282	20	11
KDP-100	100	395	210	45	90	-	-	176	140	145	-	10
KDP-151	54	410	270	112	-	-	-	192	146	118	-	10
KDP-251	54	410	270	112	-	-	-	192	146	118	-	10