

## KJ-100M 自吸射流泵 CENTRIFUGAL SELF-PRIMING JET PUMP



### CONSTRUCTION

#### PUMP: Centrifugal Self-Priming JET

Pump Body: Cast Iron  
Impeller: Brass / P.P.O. Plastics / Stainless Steel  
Mechanical Seal: Carbon + Ceramic + Stainless steel + Rubber  
Front cover: Cast Iron  
Nozzle: P.P.O. Plastics  
JET Pipe: P.P.O. Plastics  
Diffusor: P.P.O. Plastics

#### MOTOR: Single Phase Heavy Duty Continuous Work

Motor Housing: Aluminium  
Shaft: Carbon Steel / 304 Stainless Steel Welded / 420 Stainless Steel  
Insulation: Class B / Class F  
Protection: IP44 / IP54  
Cooling: External ventilation

### 结构特征

#### 泵：离心自吸式喷射泵

泵体：铸铁  
叶轮：铜/P.P.O.塑料/不锈钢(可选)  
机械密封：石墨+陶瓷+不锈钢+橡胶  
前端盖：铸铁  
喷嘴：P.P.O.塑料  
直管：P.P.O.塑料  
导流盘：P.P.O.塑料

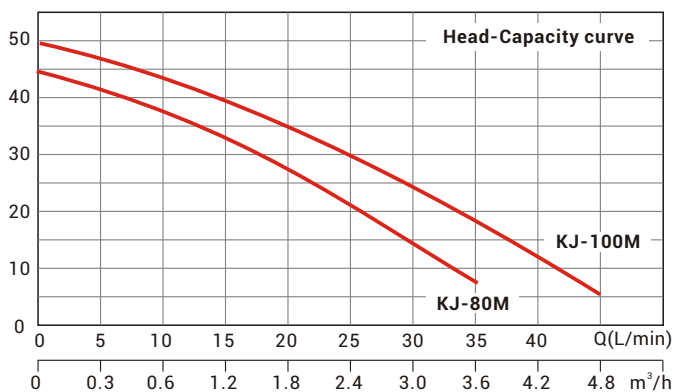
#### 电机：单相大马力连续工作制

电机机座：铝压铸  
转轴：45#碳钢/304不锈钢焊接轴/整轴420不锈钢  
绝缘等级：B级/F级  
防护等级：IP44/IP54  
冷却方式：风冷



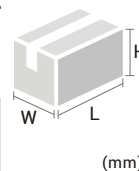
KJ-100M

H(m)



### 包装尺寸及毛重 PACKAGE DIMENSIONS & G.W.

型号 Model	长 L	宽 W	高 H	重量 KG	1X20"柜数量
					1X20" FCL QTY (pcs)
KJ-80M	470	205	250	15	1200
KJ-100M	470	205	250	16.5	1200

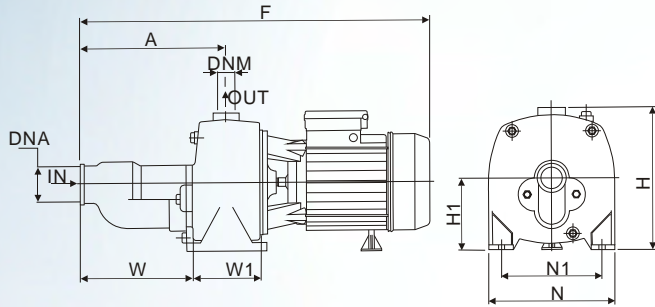


安装尺寸图请查看61页。  
For installation dimensions, please reference to page 61.

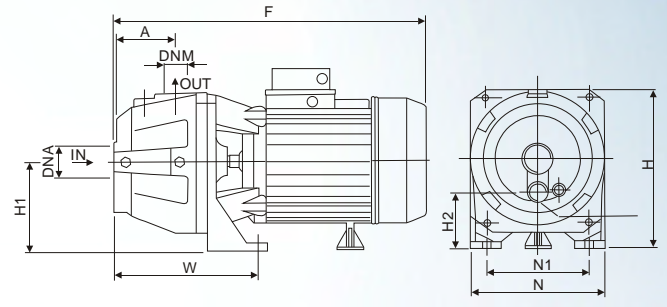
### 技术参数 PERFORMANCE SPECIFICATIONS

型号 Model	功率 Power	电流 Ampere (A)	最大吸程 Suct. max (m)	进出口管径 Inlet/Outlet DIA	流量 Q=capacity									
					扬程 H (m)		流量 Q=capacity							
KJ-80M	0.75	0.55	3.8	1"x1"	0	0.3	0.6	1.2	1.8	2.4	3.0	3.6	4.2	4.8
					45	42	36	31	25	18	12	7	-	-
KJ-100M	1	0.75	5.2	1"x1"	0	0.3	0.6	1.2	1.8	2.4	3.0	3.6	4.2	4.8
					50	46	42	38	32	28	22	15	8	5

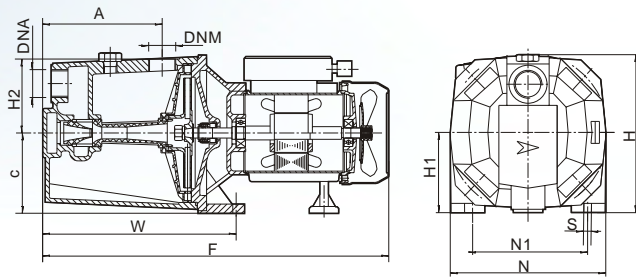
\*110V,110/220V,60Hz etc. Models are available on request.



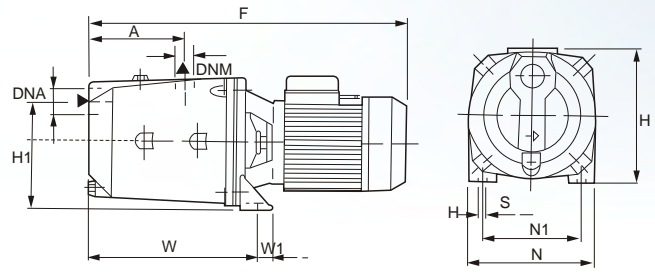
KAB Series



KAP Series



KJM, KM-80, KJ-100M Series



KJ-200M Series

## 安装尺寸 INSTALLATION DIMENSIONS

型号 Model	尺寸 DIMENSIONS (mm)											
	A	F	H	H1	H2	H3	H4	N	N1	W	W1	S
KAB150	257	596	240	112	-	-	-	220	177	204	105	10
KAB200	257	596	240	112	-	-	-	220	177	204	105	10
KAB300	257	596	240	112	-	-	-	220	177	204	105	10
KAP75	82	360	195	185	52	-	-	180	140	168	-	10
KAP100	82	360	195	185	52	-	-	180	140	168	-	10
KAP150	74	415	230	240	60	-	-	220	177	125	-	10
KAP200	74	415	230	240	60	-	-	220	177	125	-	10
KJM50	140	420	195	90	95	185	-	180	140	230	-	10
KJM75	140	420	195	90	95	185	-	180	140	230	-	10
KJM100	140	420	195	90	95	185	-	180	140	230	-	10
KM-60	140	435	220	100	95	185	-	180	140	230	-	10
KM-70	140	435	220	100	95	185	-	180	140	230	-	10
KM-80	140	435	220	100	95	185	-	180	140	230	-	10
KJ-102M	106	420	108	94	80	174	145	170.5	111	192	-	9
KJ-80M	140	440	220	100	90	190	-	181	140	235	-	10
KJ-100M	140	440	220	100	90	190	-	181	140	235	-	10
KJ-200M	151	521	227	175	-	-	-	214	160	282	20	11
KJ-300M	151	521	227	175	-	-	-	214	160	282	20	11
KDP-100	100	395	210	45	90	-	-	176	140	145	-	10
KDP-151	54	410	270	112	-	-	-	192	146	118	-	10
KDP-251	54	410	270	112	-	-	-	192	146	118	-	10