

KCH 离心泵 CENTRIFUGAL PUMP



CONSTRUCTION

PUMP: Centrifugal

Pump Body: Cast Iron
Impeller: Brass
Mechanical Seal: Carbon + Ceramic + Stainless steel + Rubber
Front cover: Cast Iron

MOTOR: Single Phase Heavy Duty Continuous Work

Motor Housing: Aluminium
Shaft: Carbon Steel / 304 Stainless Steel Welded / 420 Stainless Steel
Insulation: Class B/Class F
Protection: IP44/IP54
Cooling: External ventilation

结构特征

泵: 单级离心泵

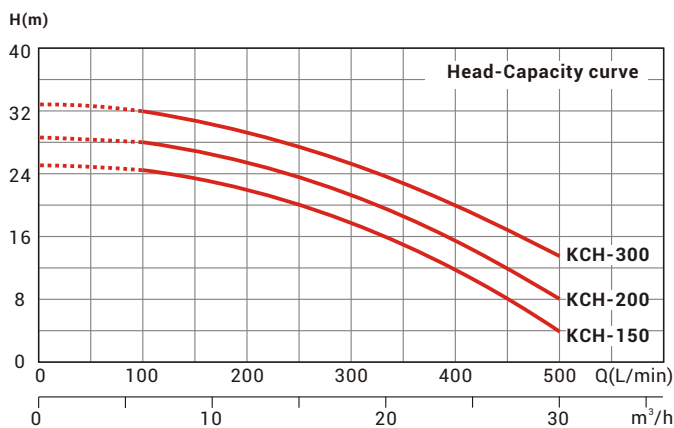
泵体: 铸铁
叶轮: 铜
机械密封: 石墨+陶瓷+不锈钢+橡胶
前端盖: 铸铁

电机: 单相大马力连续工作制

电机机座: 铝压铸
转轴: 45#碳钢/304不锈钢焊接轴/整轴420不锈钢
绝缘等级: B级/F级
防护等级: IP44/IP54
冷却方式: 风冷

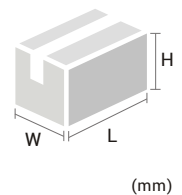


KCH-150
KCH-200
KCH-300



包装尺寸及毛重 PACKAGE DIMENSIONS & G.W.

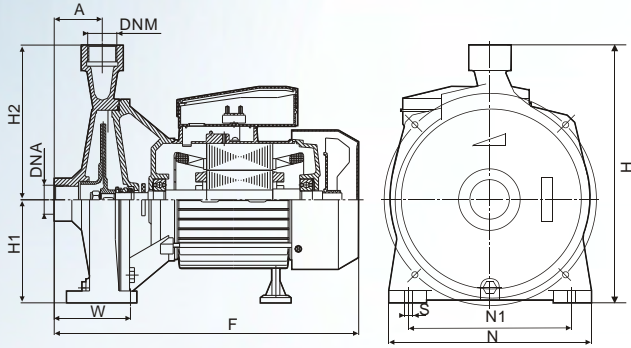
型号 Model	长 L	宽 W	高 H	重量 KG	1X20"柜数量 1X20" FCL QTY (pKCS)
KCH-150	390	300	230	22	1000
KCH-200	390	300	230	24	1000
KCH-300	430	300	230	32	950



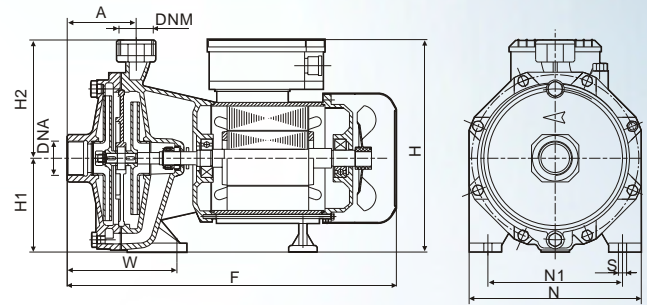
安装尺寸图请查看59页。
For installation dimensions, please reference to page 59.

技术参数 PERFORMANCE SPECIFICATIONS

型号 Model	功率 Power			电流 Ampere (A) 230V/50Hz	进出口管径 Inlet/Outlet DIA	流量 Q=capacity										
	P2		P1			m³/h	0	6	9	12	15	18	21	24	27	30
	HP	kW	kW			l/min	0	100	150	200	250	300	350	400	450	500
KCH-150	1.5	1.1	1.9	9.2	2"x2"	25	24.2	23.4	22	20.1	17.8	15	11.8	8.2	4	
KCH-200	2	1.5	2.49	11.5	2"x2"	28.8	28	27.1	25.4	23.4	21.2	18.5	15.5	12	8	
KCH-300	3	2.2	3.1	13.6	2"x2"	32.8	32	30.9	29.5	27.6	25.5	22.9	20	16.7	13.5	



KCM, KCS, KCH, KMB, KCK30 Series



KCM2 Series

安装尺寸 INSTALLATION DIMENSIONS

型号 Model	尺寸 DIMENSIONS (mm)								
	A	F	H	H1	H2	N	N1	W	S
KCM50	45.5	265	202	82	120	150	110	95	10
KCM75	46.5	300	234	97	137	180	140	110	10
KCM100	46.5	300	234	97	137	180	140	110	10
KCM160	46.5	34	285	115	170	220	180	117	11
KCM210	46.5	348	285	115	170	220	180	117	11
KCM2-100	72	328	228	98	130	180	140	122	11
KCM2-160	82	395	264	115	149	210	170	141	11
KCM2-210	82	395	264	115	149	210	170	141	11
KCM2-310	82	395	264	115	149	210	170	141	11
KCS-150/2	53	370	285	115	170	218	140	150	11
KCS-200/2	53	370	285	115	170	218	140	150	11
KCS-300/2	80	455	292	112	180	225	140	160	11
KCS-450/2	85	480	330	130	200	250	160	165	14
KCS-550/2	85	480	330	130	200	250	160	165	14
KCH150	105	370	280	110	170	200	160	48	11
KCH200	105	370	280	110	170	200	160	48	11
KCH300	105	370	280	110	170	200	160	48	11
KMB150	108	385	242	115	127	205	165	73	11
KMB200	108	385	242	115	127	205	165	73	11
KMB300	108	385	242	115	127	205	165	73	11
KCK30/70M	50.5	316	235	99	136	195	140	118.5	10
KCK30/100M	50	333	255	105	150	200	140	124	10
KCK36/100M	50	333	255	105	150	200	140	124	10