

KYPm 离心泵 CENTRIFUGAL PUMP



CONSTRUCTION

PUMP: Centrifugal

Pump Body: Cast Iron
Impeller: Brass / Cast Iron
Mechanical Seal: Carbon + Ceramic + Stainless Steel + Rubber
Front cover: Cast Iron

MOTOR: Single Phase Heavy Duty Continuous Work

Motor Housing: Aluminium
Shaft: Carbon Steel / 304 Stainless Steel Welded / 420 Stainless Steel
Insulation: Class B / Class F
Protection: IP44 / IP54
Cooling: External Ventilation

结构特征

泵：单级离心泵

泵体：铸铁

叶轮：铜/铸铁

机械密封：石墨+陶瓷+不锈钢+橡胶

前端盖：铸铁

电机：单相大马力连续工作制

电机机座：铝压铸

转轴：45#碳钢/304不锈钢焊接轴/整轴420不锈钢

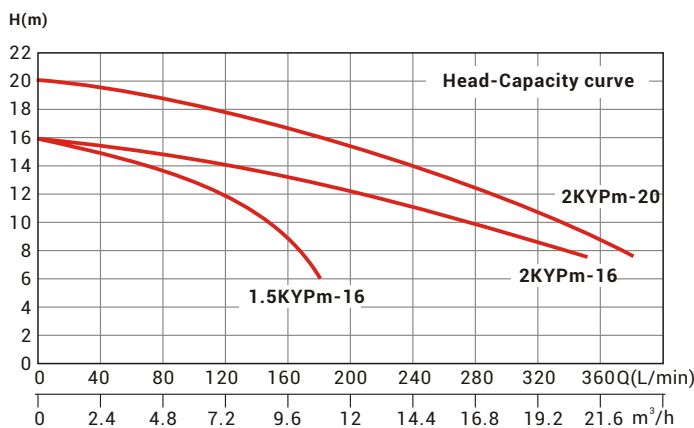
绝缘等级：B级/F级

防护等级：IP44/IP54

冷却方式：风冷

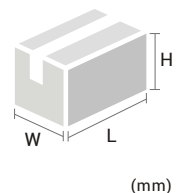


2KYPm-20



包装尺寸及毛重 PACKAGE DIMENSIONS & G.W.

型号 Model	长 L	宽 W	高 H	重量 KG	1X20"柜数量 QTY (pcs)
1.5KYPm-16	360	230	230	16.5	1500
2KYPm-16	360	250	250	23	1300
2KYPm-20	380	250	250	26	1200



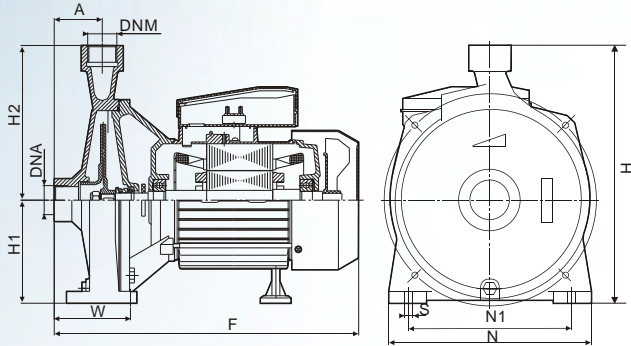
安装尺寸图请查看57页。
For installation dimensions, please reference to page 57.

技术参数 PERFORMANCE SPECIFICATIONS

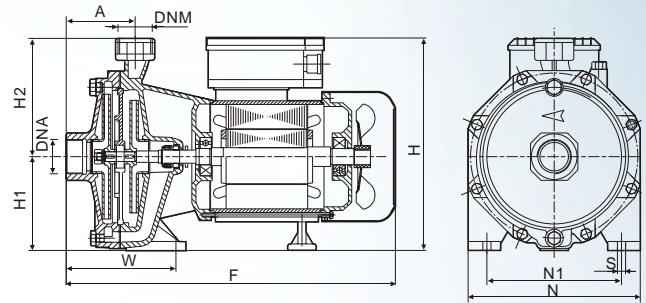
型号 Model	功率 Power		电流 Ampere (A)	最大吸程 Suct. max (m)	进出口管径 Inlet/Outlet DIA	流量 Q=capacity												
						m³/h 0	1.2	2.4	3.6	4.8	6.0	7.2	9.0	10.8	15	18	21	22.8
	HP	kW	220V/50Hz	l/min 0	20	40	60	80	100	120	150	180	250	300	350	380		
1.5KYPm-16	1	0.75	5.2	9	1.5"x1.5	16	15.8	15.5	15	14	13	12	10	6	-	-	-	-
2KYPm-16	1.5	1.1	7		2"x2"	16	15.8	15.5	15.3	15	14	13.5	13	12.5	11	9	7	-
2KYPm-20	2	1.5	9.6		2"x2"	20	-	19.5	-	18.5	18	17.5	16.3	15.5	14	12	-	7.5

*110V,110/220V,60Hz etc. Models are available on request.

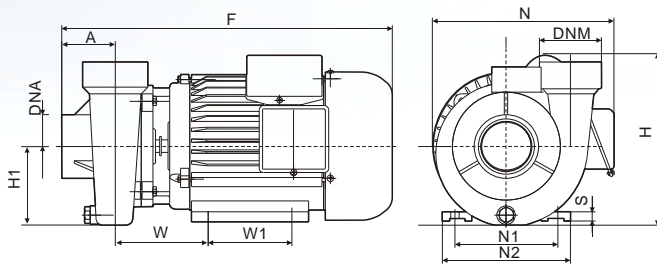
离心泵系列 CENTRIFUGAL PUMP SERIES



KCP, KSM, KWP, KYP Series



KCP2 Series



KXP, KYPm Series

安装尺寸 INSTALLATION DIMENSIONS

型号 Model	尺寸 DIMENSIONS (mm)										
	A	F	H	H1	H2	N	N1	N2	W	W1	S
1KCP-130	42	295	211	82	129	170	135	-	-	-	10
1KCP-146	44	305	242	100	142	190	160	-	-	-	10
1KCP-158	44	305	242	100	142	190	160	-	-	-	10
1KCP-170	51	367	260	110	150	206	165	-	44.5	-	10
1.5KCP-180	53	360	262	112	150	207	160	-	-	-	10
2KCP-200	30	388	259	112	147	207	160	-	32	-	11
KCP2-45	84	378	263	110	153	225	185	-	135	-	11
KCP2-52	86	400	256	115	148	210	165	-	140	-	10
KCP2-60A	86	400	256	115	148	210	165	-	140	-	10
KCP2-60B	86	400	256	115	148	210	165	-	140	-	10
KCP2-68	90	450	320	140	175	240	200	-	160	-	14
1KXP-201	30	300	180	80	-	190	110	138	130	75	10
1.5KXP-203	45	330	199	80	-	190	110	138	155	90	10
2KXP-204	45	330	199	80	-	190	110	138	155	90	10
2KXP-205	67	390	206	90	-	226	140	168	182	100	10
3KXP-207	98	405	280	122	-	122	145	185	165	245	10
KSM-22	43	275	197	83	114	150	108	-	100	-	10
KSM-42	45	303	242	98	144	165	140	-	108	-	10
KSM-50	45	303	242	98	144	165	140	-	108	-	10
KWP-180	54.5	346	287	111	176	230	185	-	86.5	-	10
KWP-200	54.5	346	287	111	176	230	185	-	86.5	-	10
1KYP-14	44	160	173	63	110	118	100	148	121	-	10
1KYP-20	44	298	191	71	120	136	112	168	122	-	10
1.5KYP-20	43	298	191	71	120	136	112	168	121	-	10
1.5KYPm-16	45	330	199	80	-	190	110	138	110	90	10
2KYPm-16	61	360	207	90	-	185	130	162	101	92	10
2KYPm-20	61	360	207	90	-	185	130	162	101	92	10