

KHP1 离心泵 CENTRIFUGAL PUMP



CONSTRUCTION

PUMP: Centrifugal

Pump Body: Cast Iron
Impeller: Brass
Mechanical Seal: Carbon + Ceramic + Stainless Steel + Rubber
Front Cover: Cast Iron

MOTOR: Single Phase Heavy Duty Continuous Work

Motor Housing: Aluminium
Shaft: Carbon Steel / 304 Stainless Steel Welded / 420 Stainless Steel
Insulation: Class B / Class F
Protection: IP44 / IP54
Cooling: External Ventilation

结构特征

泵: 单级离心泵
泵体: 铸铁
叶轮: 铜
机械密封: 石墨+陶瓷+不锈钢+橡胶
前端盖: 铸铁

电机: 单相大马力连续工作制

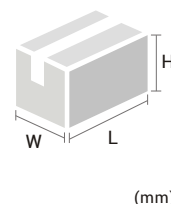
电机机座: 铝压铸
转轴: 45#碳钢/304不锈钢焊接轴/整轴420不锈钢
绝缘等级: B级/F级
防护等级: IP44/IP54
冷却方式: 风冷



3KHP-6A

包装尺寸及毛重 PACKAGE DIMENSIONS & G.W.

| 型号 Model | | 长 L | 宽 W | 高 H | 重量 KG | 1X20"柜数量 1X20"FCL QTY (pcs) |
|---------------|---------------|-----|-----|-----|-------|-----------------------------|
| 单相 Monofase | 三相 Trifase | | | | | |
| 1.5KHP1-50B | 1.5KNP50B | 37 | 23 | 30 | 15.30 | 1100 |
| 1.5KHP1-50A | - | 37 | 23 | 30 | 15.80 | 1100 |
| - | 1.5KNP51A | 37 | 23 | 30 | 16.30 | 1100 |
| 1.5KHP1-51B-A | 1.5KNP1-51B-A | 37 | 23 | 30 | 16.80 | 1100 |
| 1.5KHP1-60 | 1.5KNP60 | 41 | 23 | 30 | 18.50 | 800 |
| 1.5KHP1-70B | - | 41 | 23 | 30 | 19.50 | 800 |
| - | 1.5KNP-70B | 41 | 23 | 30 | 19.50 | 800 |
| - | 1.5KNP-70A | 41 | 23 | 30 | 20 | 800 |
| 2KHP1-B-A | 2KNP-5C-B-A | 41 | 23 | 30 | 20 | 800 |
| 2KHP1-5BM | 2KNP-5BM | 47 | 29 | 36 | 24 | 600 |
| 2KHP1-5AM | - | 47 | 29 | 36 | 25 | 600 |
| - | 2KNP-5AM | 47 | 29 | 36 | 25 | 600 |



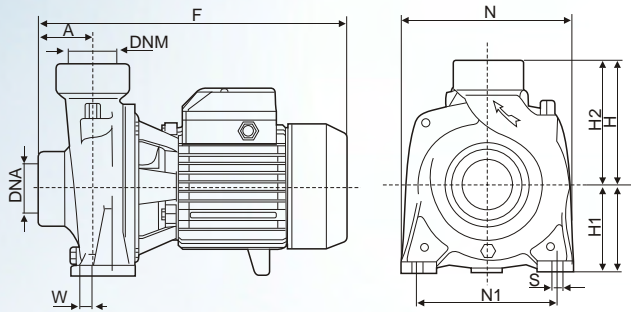
安装尺寸图请查看58页。For installation dimensions, please reference to page 58.

技术参数 PERFORMANCE SPECIFICATIONS

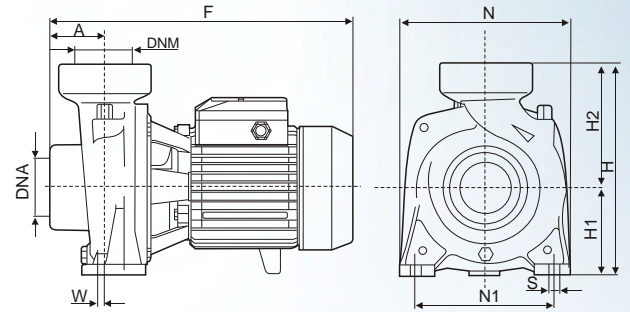
| 型号 Model | | 功率 Power | | 电流 Ampere (A) | 最大吸程 Suct. max m | 进出口管径 Inlet/Outlet DIA | 流量 Q=capacity | | | | | | | | | | | | | | | | | | | | | |
|-------------|------------|----------|------|---------------|------------------|------------------------|---------------|------|------|------|------|------|------|------|------|-----|-----|---|----|---|----|---|----|---|----|---|----|---|
| 单相 Monofase | 三相 Trifase | HP | kW | 220V/50Hz | 9 | 1.5"x1.5" | m³/h 0 | | 3 | | 6 | | 9 | | 12 | | 15 | | 18 | | 21 | | 24 | | 30 | | 36 | |
| | | | | | | | l/min 0 | 50 | 100 | 150 | 200 | 250 | 300 | 350 | 400 | 500 | 600 | | | | | | | | | | | |
| 1.5KHP1-50B | 1.5KNP50B | 0.5 | 0.37 | 2.8 | | 1.5"x1.5" | 9 | 8.5 | 8.2 | 7.5 | 6.3 | 4.9 | 2.8 | - | - | - | - | - | - | - | - | - | - | - | - | - | - | - |
| 1.5KHP1-50A | 1.5KNP50A | 0.75 | 0.55 | 3.8 | | 1.5"x1.5" | 12 | 11.5 | 11.2 | 10.6 | 9.6 | 8 | 6 | - | - | - | - | - | - | - | - | - | - | - | - | - | - | |
| 1.5KHP1-51B | 1.5KNP51B | 0.8 | 0.6 | 4.6 | | 1.5"x1.5" | 18.2 | 17.2 | 16 | 14 | 11.5 | 9 | 5.4 | - | - | - | - | - | - | - | - | - | - | - | - | - | - | |
| 1.5KHP1-51A | 1.5KNP51A | 1 | 0.75 | 5.6 | | 1.5"x1.5" | 21.2 | 20.2 | 19 | 17 | 14.5 | 11.6 | 8.4 | - | - | - | - | - | - | - | - | - | - | - | - | - | - | |
| 1.5KHP1-60 | 1.5KNP60 | 1.5 | 1.1 | 7.8 | | 1.5"x1.5" | 29 | 28 | 26.5 | 24.5 | 22 | 18.5 | 15 | - | - | - | - | - | - | - | - | - | - | - | - | - | - | |
| 1.5KHP1-70B | 1.5KNP70B | 2 | 1.5 | 9.6 | | 1.5"x1.5" | 33 | 32 | 30.5 | 28.5 | 26 | 22.5 | 19 | - | - | - | - | - | - | - | - | - | - | - | - | - | - | |
| - | 1.5KNP70A | 3 | 2.2 | 10.3 | | 1.5"x1.5" | 39 | 38 | 36.5 | 34.5 | 32 | 28 | 25 | - | - | - | - | - | - | - | - | - | - | - | - | - | - | |
| 1.5KHP1-5C | 1.5KNP5C | 0.8 | 0.6 | 4.6 | | 1.5"x1.5" | 12.5 | - | 12 | 11.7 | 11 | 28.5 | 9.2 | 8 | 6.5 | - | - | - | - | - | - | - | - | - | - | - | - | |
| 2KHP1-5B | 2KNP5B | 1 | 0.75 | 5.6 | | 2"x2" | 13.7 | - | 13.2 | 13 | 12.5 | 10.2 | 10.5 | 9.2 | 8 | 5 | 3 | - | - | - | - | - | - | - | - | - | - | |
| 2KHP1-5A | 2KNP5A | 1.5 | 1.1 | 7.8 | | 2"x2" | 14.5 | - | 13.8 | 13.5 | 13.2 | 12.6 | 11.8 | 10.5 | 9.2 | 6.5 | - | - | - | - | - | - | - | - | - | - | - | |
| 2KHP1-5BM | 2KNP5BN | 1.5 | 1.1 | 7.8 | | 2"x2" | 20.2 | - | 19.2 | 19 | 18 | 17 | 16 | 14 | 12 | 7.5 | - | - | - | - | - | - | - | - | - | - | - | |
| 2KHP1-5AM | 2KNP5AM | 2 | 1.5 | 9.6 | | 2"x2" | 22.5 | - | 22 | 21.5 | 21 | 20 | 18.5 | 16.6 | 14.5 | 10 | - | - | - | - | - | - | - | - | - | - | - | |

*110V,110/220V,60Hz etc. Models are available on request.

离心泵系列 CENTRIFUGAL PUMP SERIES



KHP1 Series



KHP2 Series

安装尺寸 INSTALLATION DIMENSIONS

| 型号 Model | | 尺寸 DIMENSIONS (mm) | | | | | | | | |
|---------------|---------------|--------------------|-----|-----|-----|-----|-----|-----|----|-------|
| 单相 Monofase | 三相 Trifase | A | F | H | H1 | H2 | N | N1 | W | S |
| 1.5KHP1-50B | 1.5KNP50B | 45 | 276 | 200 | 82 | 118 | 165 | 135 | 1 | 15.30 |
| 1.5KHP1-50A | - | 45 | 283 | 200 | 82 | 118 | 165 | 135 | 1 | 15.80 |
| - | 1.5KNP51A | 45 | 276 | 200 | 82 | 118 | 165 | 135 | 1 | 16.30 |
| 1.5KHP1-51B-A | 1.5KNP1-51B-A | 45 | 300 | 225 | 92 | 133 | 190 | 160 | 4 | 16.80 |
| 1.5KHP1-60 | 1.5KNP60 | 48.8 | 347 | 269 | 114 | 155 | 216 | 171 | 12 | 18.50 |
| 1.5KHP1-70B | - | 48.5 | 367 | 269 | 114 | 155 | 216 | 171 | 12 | 19.50 |
| - | 1.5KNP-70B | 48.5 | 347 | 269 | 114 | 155 | 216 | 171 | 12 | 19.50 |
| - | 1.5KNP-70A | 48.5 | 367 | 269 | 114 | 155 | 216 | 171 | 12 | 20 |
| 2KHP1-B-A | 2KNP-5C-B-A | 60 | 332 | 238 | 97 | 141 | 196 | 160 | 14 | 20 |
| 2KHP1-5BM | 2KNP-5BM | 51 | 360 | 260 | 110 | 150 | 206 | 160 | 1 | 24 |
| 2KHP1-5AM | - | 51 | 380 | 260 | 110 | 150 | 206 | 160 | 1 | 25 |
| - | 2KNP-5AM | 51 | 360 | 260 | 110 | 150 | 206 | 160 | 1 | 25 |
| 2KHP2-4 | 2KHP4 | 55 | 323 | 240 | 97 | 143 | 190 | 155 | - | 20 |
| 3KHP2-6c | 3KHP6C | 68 | 385 | 312 | 120 | 192 | 240 | 190 | 6 | 28.5 |
| 3KHP2-6B | - | 68 | 405 | 312 | 120 | 192 | 240 | 190 | 6 | 29 |
| - | 3KHP6B | 68 | 385 | 312 | 120 | 192 | 240 | 190 | 6 | 29.5 |
| - | 3KHP6A | 68 | 405 | 312 | 120 | 192 | 240 | 190 | 6 | 30.5 |
| 4KHP2-6CR | 4KHP6CR | 70 | 387 | 312 | 120 | 192 | 240 | 190 | 6 | 29.5 |
| 4KHP2-6BR | - | 70 | 407 | 312 | 120 | 192 | 240 | 190 | 6 | 30.5 |
| - | 4KHP6BR | 70 | 387 | 312 | 120 | 192 | 240 | 190 | 6 | 30.5 |
| - | 4KHP6AR | 70 | 407 | 312 | 120 | 192 | 240 | 190 | 6 | 31 |
| - | 4KHP8B | 80 | 429 | 312 | 132 | 180 | 245 | 190 | 30 | 31.5 |
| - | 4KHP8A | 80 | 475 | 312 | 132 | 180 | 245 | 190 | 30 | 33 |
| - | 4KHP20B | 80 | 429 | 312 | 132 | 180 | 245 | 190 | 30 | 31.5 |
| - | 4KHP20A | 80 | 475 | 312 | 132 | 180 | 245 | 190 | 30 | 33 |