

GP/YGP 自吸清水泵 SELF-SUCKING PUMPS

CONSTRUCTION

PUMP: Peripheral - SelfSucking

Pump Body: Cast Iron / Cast Iron With Brass Insert

Pump cover: Cast Iron / Brass

Impeller: Brass

Mechanical Seal: Carbon + Ceramic + Stainless Steel + Rubber

MOTOR: Single Phase Heavy Duty Continuous Work

Motor Housing: Aluminium With Front Cover

Shaft: Carbon Steel / 304 Stainless Steel Welded

/ 420 Stainless Steel

Insulation: Class B / Class F

Protection: IP44 / IP54

Cooling: External Ventilation

结构特征

泵: 旋涡式自吸泵

泵体: 铸铁/铸铁镶铜(可选)

泵盖: 铸铁/铜(可选)

叶轮: 铜

机械密封: 石墨+陶瓷+不锈钢+橡胶

电机: 单相大马力连续工作制

电机机座: 铝压铸(机壳前盖一体)

转轴: 45#碳钢/304不锈钢焊接轴/整轴420不锈钢

绝缘等级: B级/F级

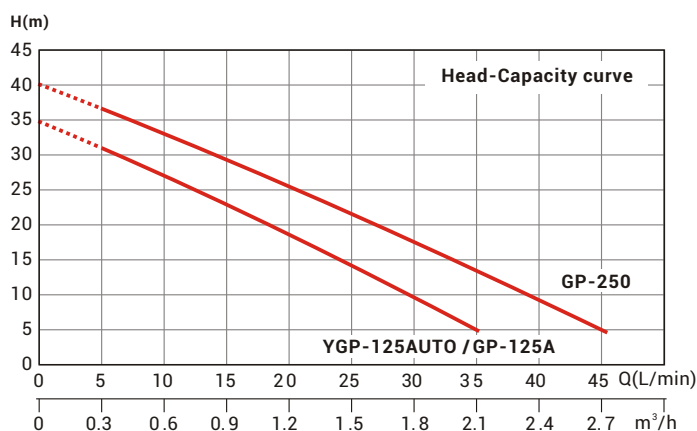
防护等级: IP44/IP54

冷却方式: 风冷



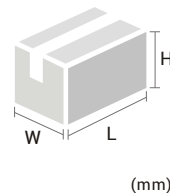
GP-125A

YGP-125AUTO
(AUTOMATIC)



包装尺寸及毛重 PACKAGE DIMENSIONS & G.W.

型号 Model	长 L	宽 W	高 H	重量 KG	1X20"柜数量 1X20" FCL QTY (pcs)
GP-125A	260	200	240	6.8	2400
GP-250A	260	200	240	6.8	2200
YGP-125AUTO	370	285	380	11	700



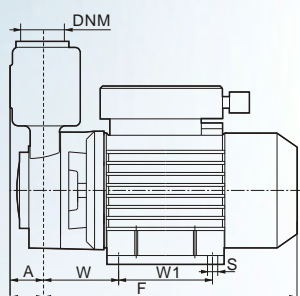
安装尺寸图请查看56页。
For installation dimensions, please refer to page 56.

技术参数 PERFORMANCE SPECIFICATIONS

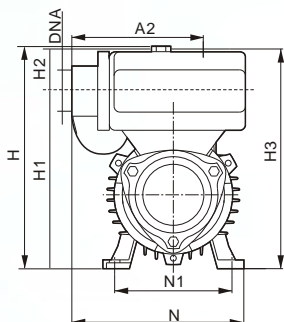
型号 Model	功率 Power		电流 Ampere (A)	最大吸程 Suct. max (m)	进出口管径 Inlet/Outlet DIA	流量 Q=capacity									
						扬程 H (m)									
	HP	kW	220V/50Hz	m³/h	0	0.3	0.6	0.9	1.2	1.5	1.8	2.1	2.4	2.7	
GP-125A	0.16	0.125	1.3	9	1"x1"	35	31	27	23	18	13.5	9	5	-	-
GP-250A	0.45	0.25	2		1"x1"	40	35	32	29	26	21	18	13	10	5
YGP-125AUTO	0.16	0.125	1.6		1"x1"	35	31	27	23	18	13.5	9	5	-	-

*110V,110/220V,60Hz etc. Models are available on request.

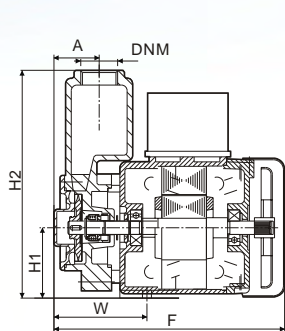
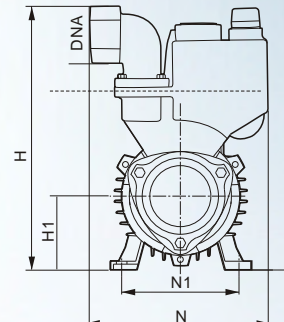
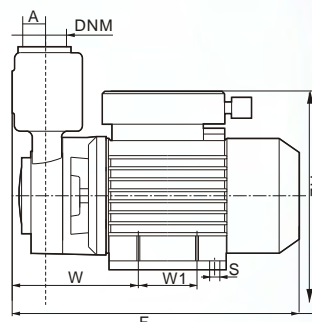
自吸清水泵系列 SELF-SUCKING PUMPS SERIES



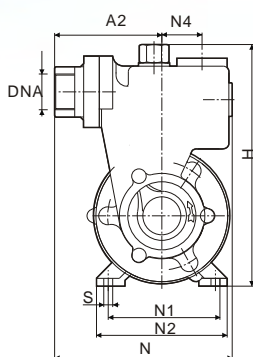
KTP Series



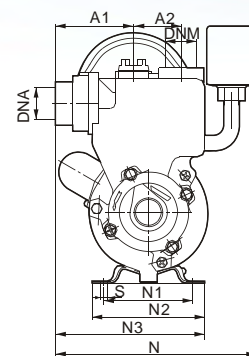
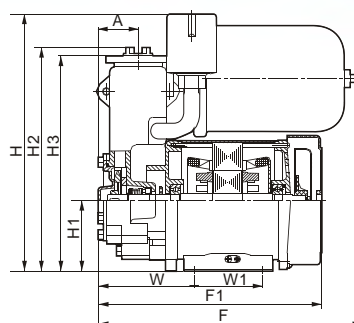
STP Series



GP Series



PS Series



安装尺寸 INSTALLATION DIMENSIONS

型号 Model	尺寸 DIMENSIONS (mm)																
	A	F	F1	H	H1	H2	H3	N	N1	N2	N3	N4	A1	A2	W	W1	S
1KTP-60	29	230	-	192	156	34	190	150	100	-	-	-	-	110	55	80	7
1KTP-70	29	260	-	200	164	34	198	160	112	-	-	-	-	110	62	90	7
1KTP-80	29	260	-	200	164	34	198	160	112	-	-	-	-	110	62	90	7
STP-65A	25	220	-	210	55	135	-	112	90	-	-	-	-	-	70	80	10
GP-125A	40	198	-	220	71	202	-	151	105	121	-	40	83	-	84	-	6
GP-250	40	198	-	220	71	202	-	151	105	121	-	40	83	-	84	-	6
PS130AUTO-A	40.5	265	226	256	71.5	227	217.5	200	90	114	178	-	79	48	97	69	8
PS130AUTO-B	40.5	265	226	256	71.5	227	217.5	200	90	114	178	-	79	48	97	69	8
PS126A	40.5	-	226	-	71.5	227	217.5	200	90	114	178	-	79	48	97	69	8
PS126B	40.5	-	226	-	71.5	227	217.5	200	90	114	178	-	79	48	97	69	8